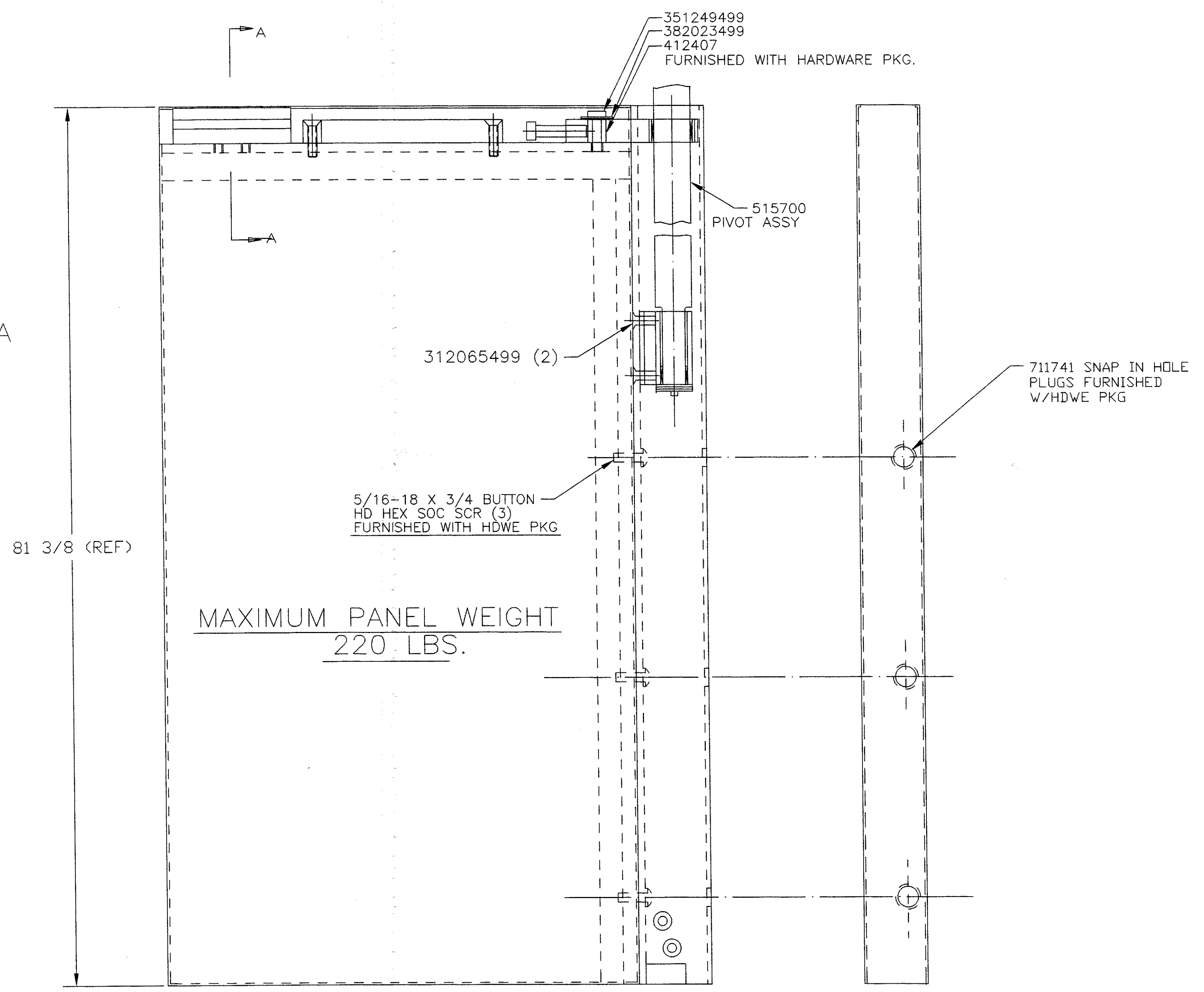
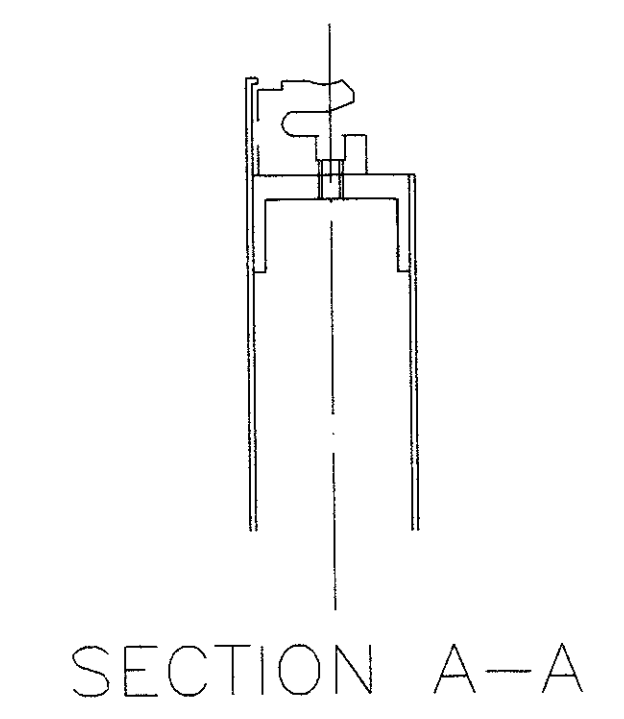
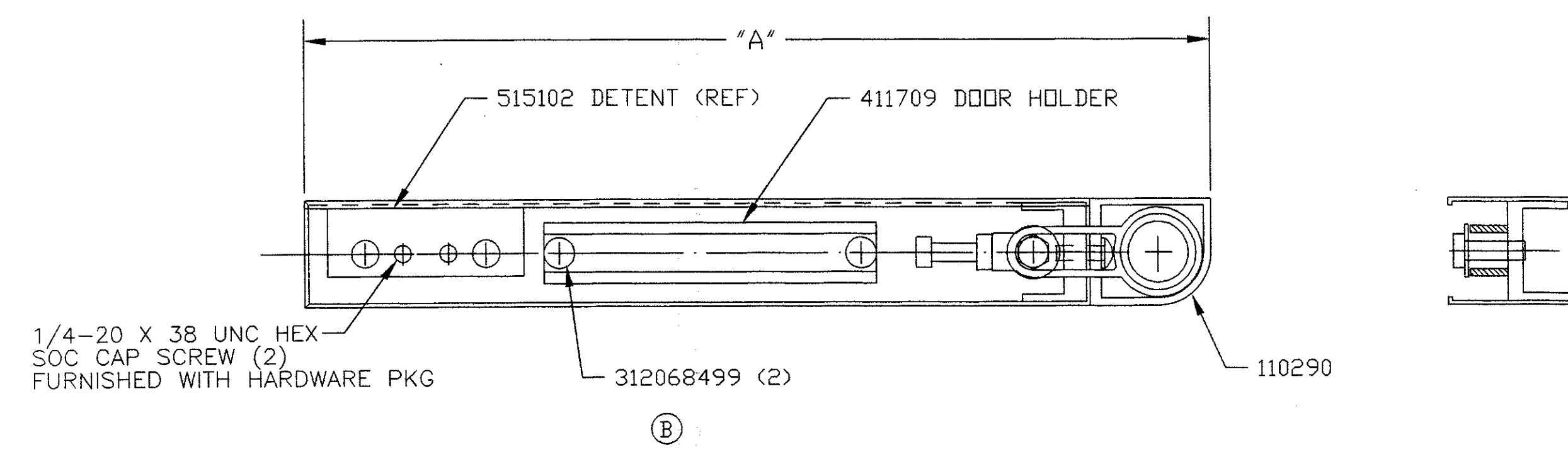


DWG NO. 110862

MODEL NO.	A	±.031
2036	42	
2042	48	
2044	50	
2048	54	
2248	30	
2260	36	
2272	42	

REVISIONS					
REV	ECN NO.	DATE	DESCRIPTION	DRAWN	APPROVED
A	96-1-8	9/10/96	INITIAL RELEASE	JLS 9/10/96	PJL
B	98-21	5/14/98	312068499 WAS 312050499	RWH	PJL
C	99-89	2/17/99	UPDATE PICTORIALY	RWH	<i>weef</i>



(LH) DOOR ASSY - DESIGNER PKG
HOLLOW METAL

<p>DO NOT SCALE DRAWING</p> <p>UNLESS OTHERWISE SPECIFIED TOLERANCES LINEAR DIMENSIONS ±.015 ANGULAR DIMENSIONS ±1° SURFACE FINISH: 32 DIMENSIONS ARE IN INCHES BREAK SHARP EDGES .015x45° MIN. FILLET RADIUS .015 R</p> <p>THIS DOCUMENT IS THE PROPERTY OF THE STANLEY WORKS AND IS FURNISHED ON THE CONDITION THAT IT IS NOT TO BE DISCLOSED, REPRODUCED IN WHOLE OR IN PART, OR USED FOR MANUFACTURE FOR ANYONE OTHER THAN THE STANLEY WORKS WITHOUT ITS WRITTEN CONSENT.</p>	<p>QTY</p>	<p>ITEM</p>	<p>PART NO.</p>	<p>DESCRIPTION</p>
	<p>DRAWN: T.J.S. 10/15/96</p> <p>CHECKED: J. ROBIDA 10/21/96</p> <p>APPROVED: P. LOMBARDO 10/21/96</p>			
	<p>MATERIAL:</p> <p>FINISH:</p>			
	<p>STANLEY ACCESS TECHNOLOGIES DIVISION OF THE STANLEY WORKS, FARMINGTON, CT, USA</p> <p>TITLE: SX DOOR ASSY (LH) HOLLOW METAL</p> <p>PRODUCT LINE: DURA GLIDE 2000 DESIGNER</p> <p>SIZE: D DWG NO. 110862 REV C</p> <p>SCALE: 1:1 SHEET 1 OF 1</p>			

DWG NO. 110862