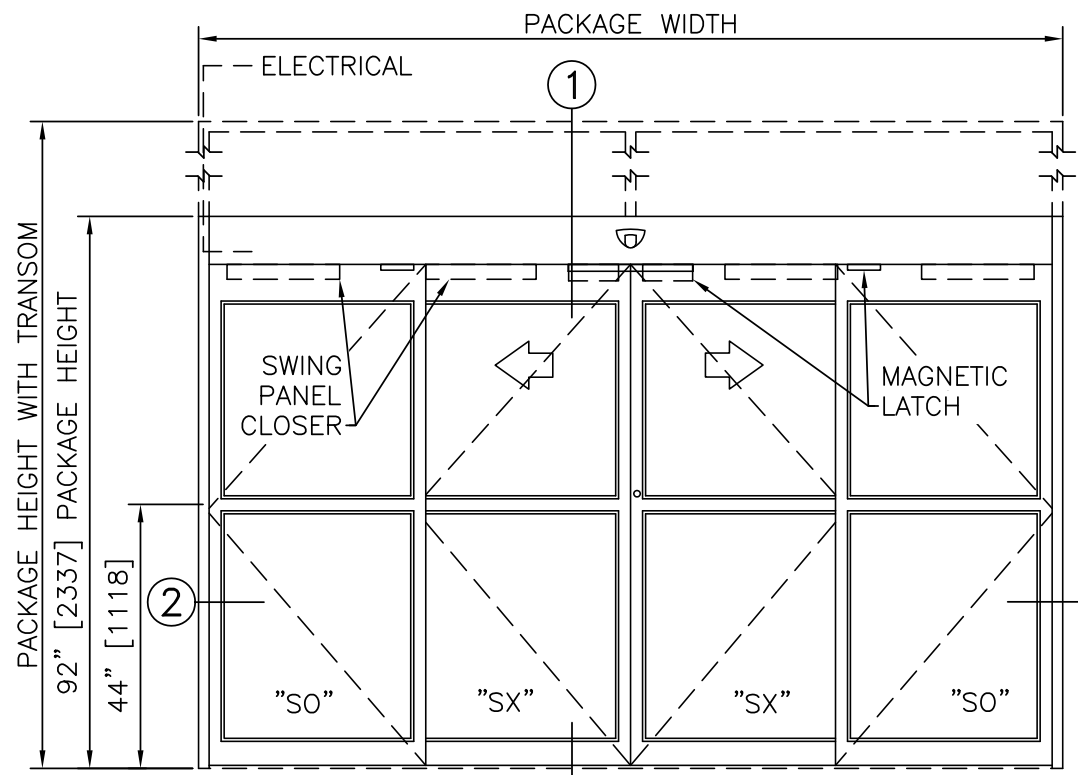




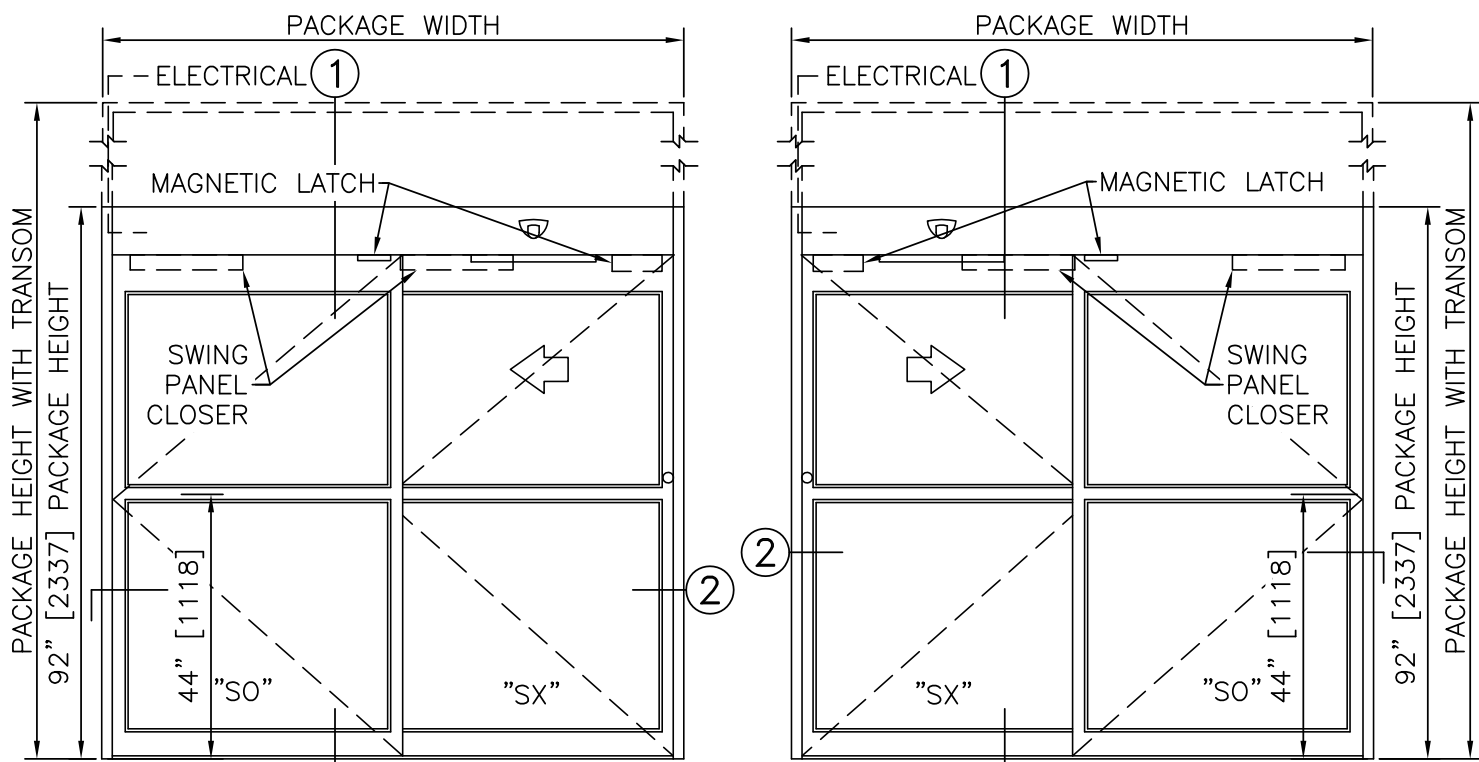
DURA-GLIDE GREENSTAR 3000 SERIES

GREEN-SET-GO OPTION	
PROJECT INFORMATION	
PROJECT NAME:	
LOCATION:	
DOOR NUMBER(S):	
DATE:	SHEET: OF



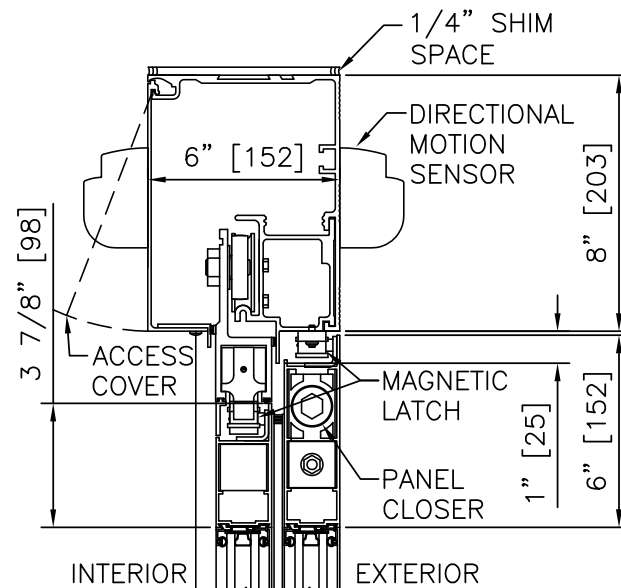
ELEVATION VIEW

SCALE: 3/8" = 1'-0"



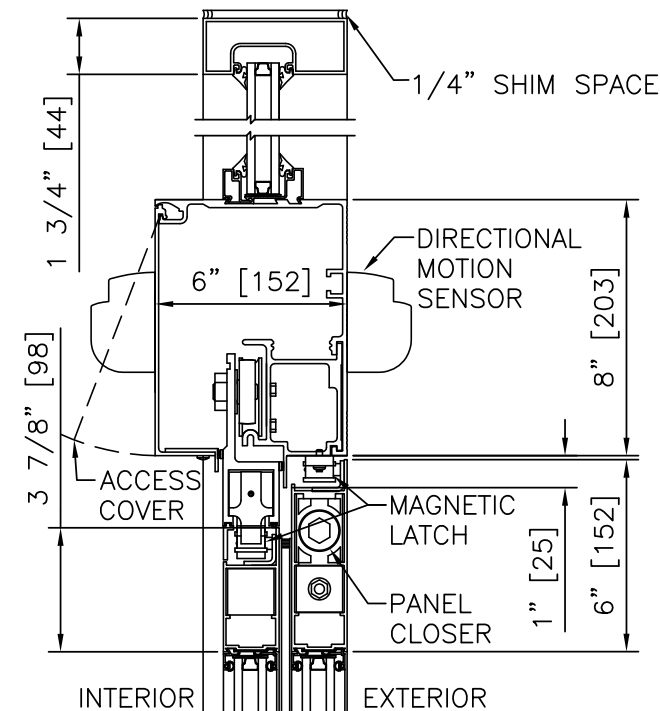
ELEVATION VIEW

SCALE: 3/8" = 1'-0"



1 VERTICAL SECTION

NO TRANSOM
SCALE: 2" = 1'-0"



1 VERTICAL SECTION

WITH TRANSOM
SCALE: 2" = 1'-0"

NOTES

1. THE STANLEY GREEN-SET-GO OPTION INCLUDES HYDRAULIC PANEL CLOSERS AND MAGNETIC CATCHES DESIGNED TO RETURN BREAKOUT PANELS TO THEIR NORMAL SLIDING POSITION.
2. WITH THE GREEN-SET-GO OPTION TOP RAIL INCREASES FROM THE STANDARD 5" [127] HEIGHT TO 6" [152].

GREEN-SET-GO OPTION	
DURA-GLIDE GREENSTAR 3000 SERIES	STANLEY Security ACCESS TECHNOLOGIES