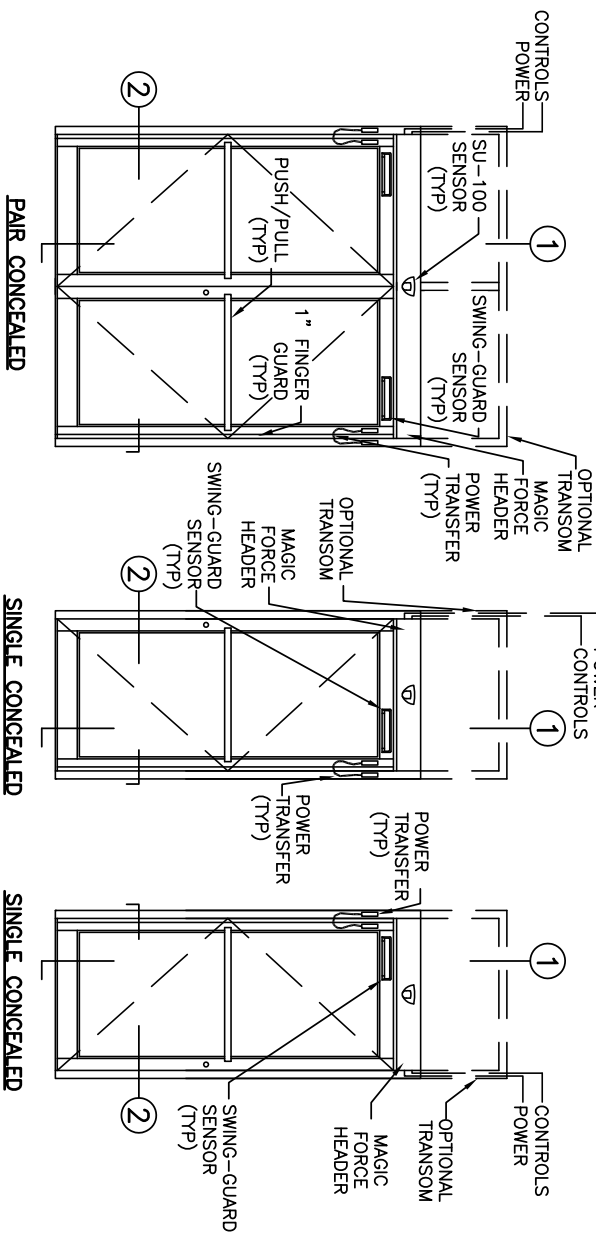
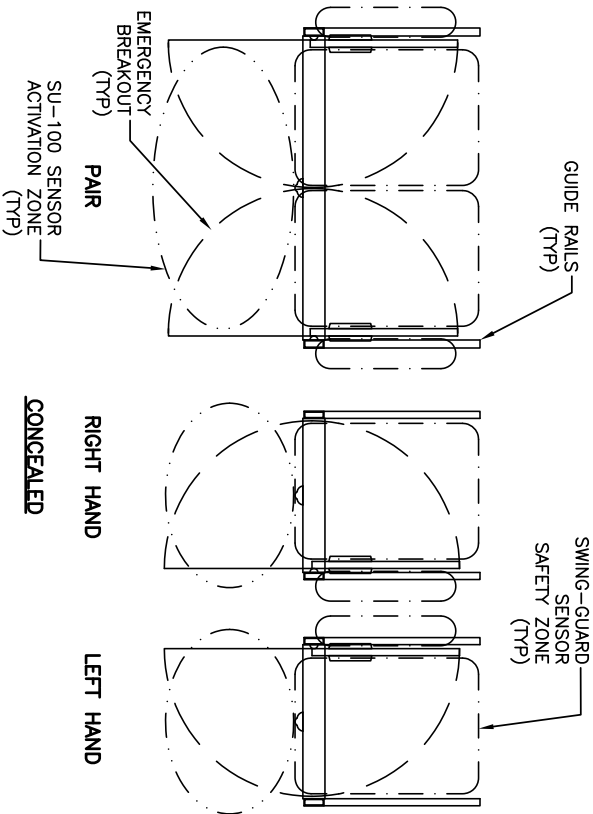


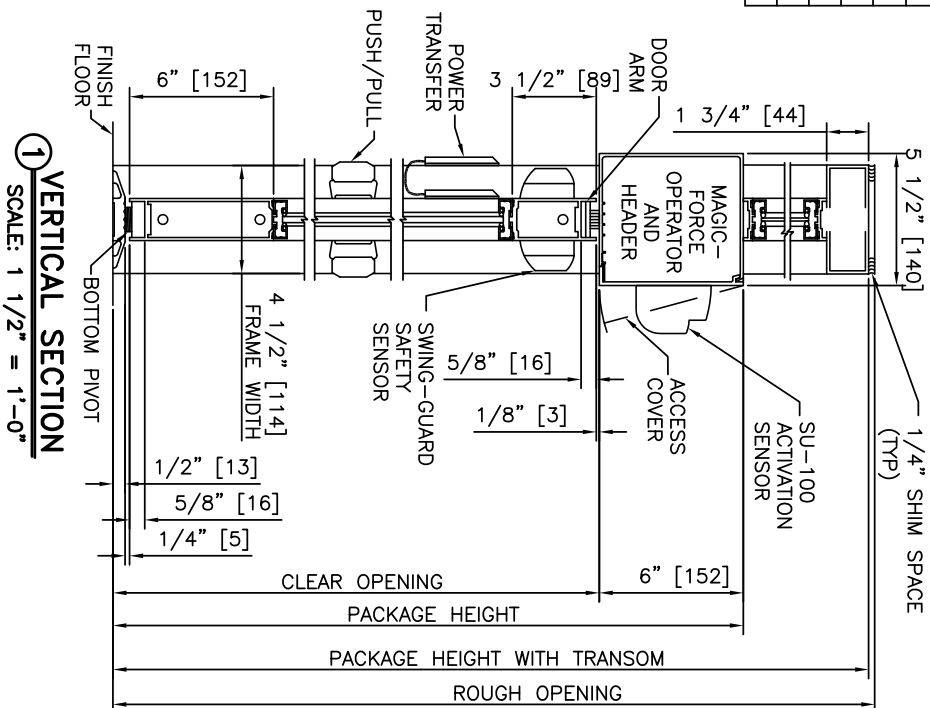
FULL ENERGY ENTRANCE WITH DOOR & MAGIC-FORCE	
PROJECT NAME:	PROJECT INFORMATION
LOCATION:	
DOOR NUMBER(S):	
DATE:	
SHEET:	OF



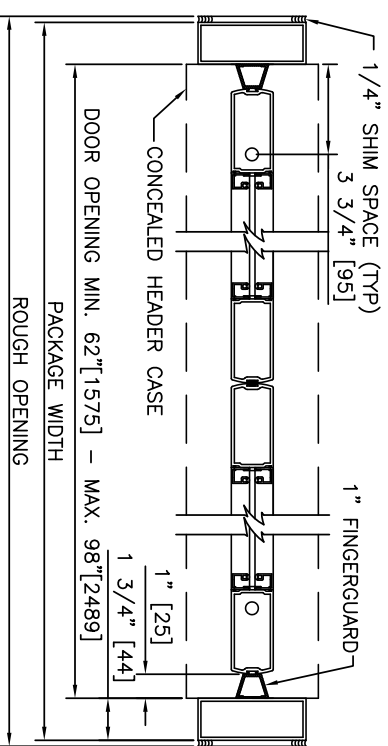
**ELEVATIONS**  
SCALE: 1/4" = 1'-0"



**PLAN VIEWS**  
SCALE: 1/4" = 1'-0"

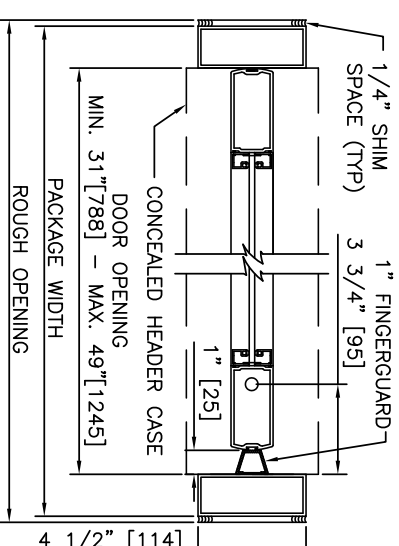


**VERTICAL SECTION**  
SCALE: 1 1/2" = 1'-0"

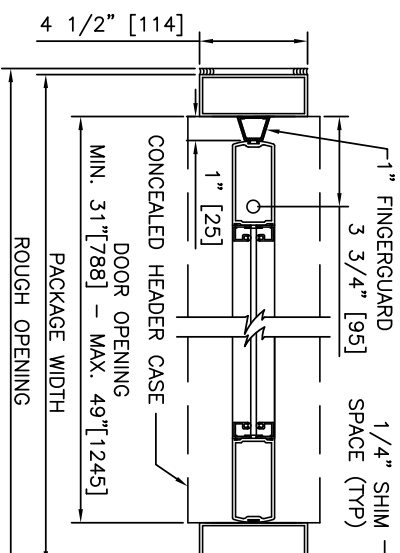


**PAIR CONCEALED**

**HORIZONTAL SECTIONS**  
SCALE: 1 1/2" = 1'-0"



**SINGLE CONCEALED**



**SINGLE CONCEALED HORIZONTAL SECTIONS**  
SCALE: 1 1/2" = 1'-0"

- PRODUCT OPTIONS**
- TRANSOM
    - YES
    - VERTICALS 1 2 3
  - FINISH
    - ANODIZED CLEAR CL2
    - ANODIZED DK BRONZE
    - CUSTOM
  - LOCKING
    - 1-POINT
    - 3-POINT
    - 2-POINT
  - STILES
    - NARROW
    - MEDIUM
  - BOTTOM RAILS
    - STANDARD 6"
    - OPTIONAL 8" 10" 12"
  - THRESHOLDS
    - SQ/BVL (EXT)
    - SQ/BVL (INT)
  - OTHER OPTIONS
    - DBL BVL
    - RECESSED
    - ARMORED STRIKE

- NOTES**
1. ELECTRICAL REQUIREMENTS: BY ELECTRICAL CONTRACTOR
    - 1.1 120 VAC, 5 AMP MIN TO OPERATOR.
    - 1.2 CONTROL CIRCUIT FROM ACTIVATION TO OPERATOR.
  2. STANDARD GLAZING STOPS FOR ALL PANELS ARE 1/4"[6], 5/8"[16] AND 1"[25] AVAILABLE.
  3. STANDARD STILES, BOTTOM RAILS AND MUNTINS SHOWN; MEDIUM STILES, BOTTOM RAILS TO 12"[305], AND MUNTINS AVAILABLE.
  4. DOORS MUST BE UN-LATCHED FOR PROPER OPERATION. PROVIDE TIME DELAY RELAY WHEN REQUIRED FOR PROPER OPERATION.
  5. LIMITS OF ACTIVATION AND SAFETY ZONES ARE PROVIDED FOR REFERENCE ONLY; SEE ANSI/BHMA A156.10 FOR SPECIFIC REQUIREMENTS.
  6. OPERATOR AND INSTALLATION TO COMPLY WITH ANSI/BHMA A156.10.
  7. SEE SPECIFICATIONS FOR ADDITIONAL INFORMATION.