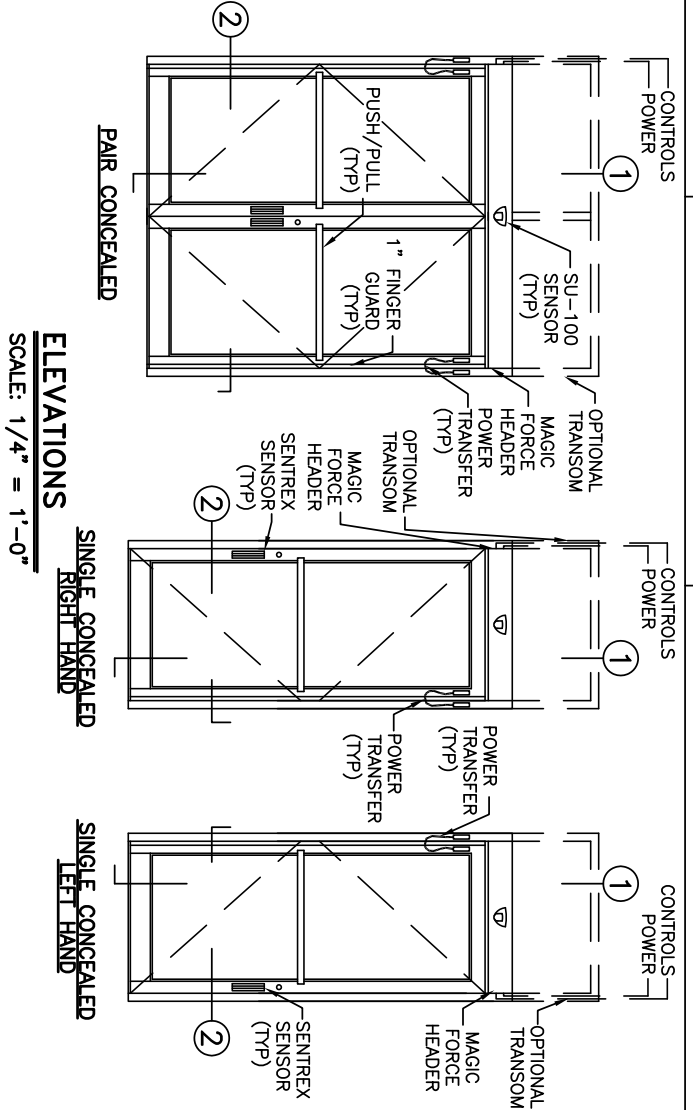


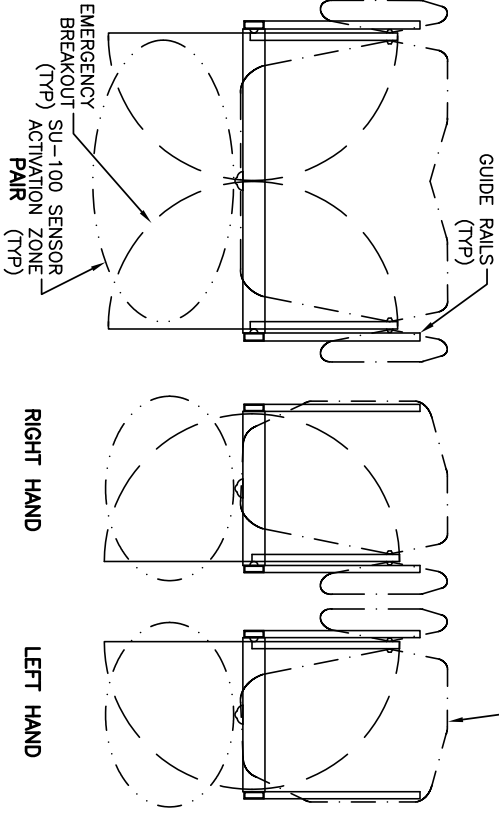


MAGIC-FORCE SENTREX ENTRANCES

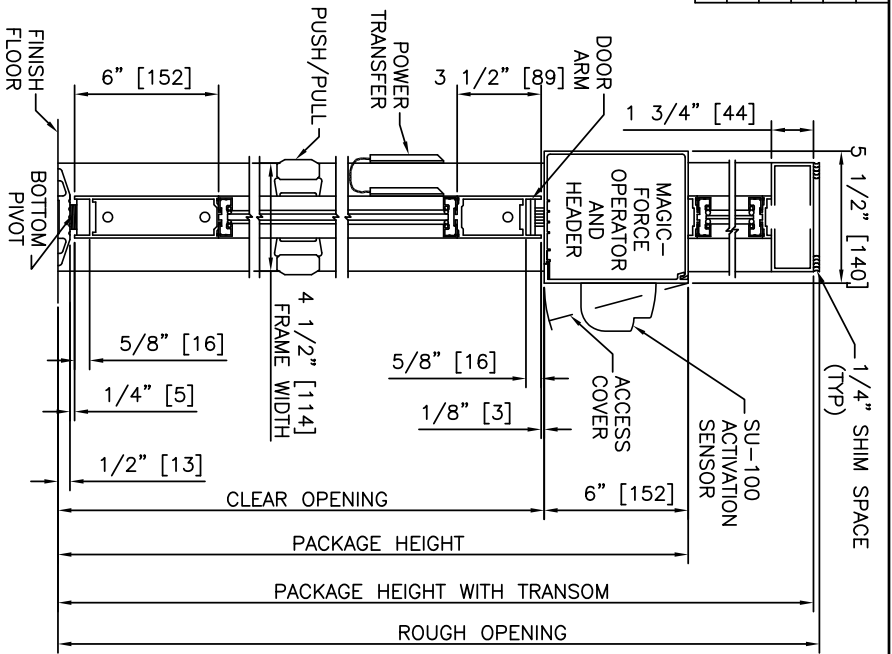
FULL ENERGY ENTRANCE WITH SENTREX DOOR & MAGIC-FORCE
PROJECT NAME: PROJECT INFORMATION
LOCATION:
DOOR NUMBER(S):
DATE:
SHEET: OF



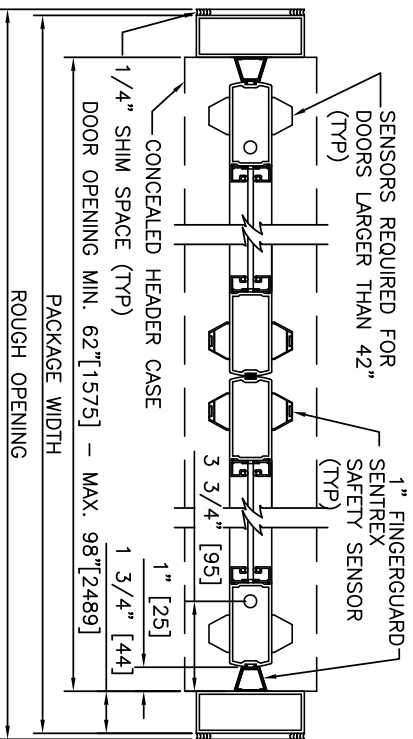
ELEVATIONS
SCALE: 1/4" = 1'-0"



PLAN VIEWS
SCALE: 1/4" = 1'-0"

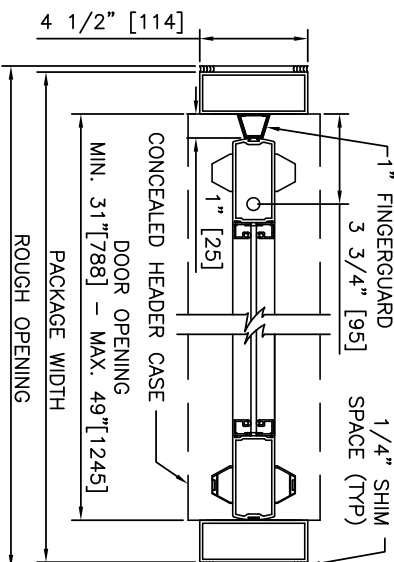


1 VERTICAL SECTION
SCALE: 1 1/2" = 1'-0"



PAIR CONCEALED

2 HORIZONTAL SECTIONS
SCALE: 1 1/2" = 1'-0"



2 HORIZONTAL SECTIONS
SCALE: 1 1/2" = 1'-0"

- PRODUCT OPTIONS**
- TRANSOM
 - YES
 - VERTICALS 1 2 3
 - FINISH
 - ANODIZED CLEAR CL2
 - ANODIZED DK BRONZE
 - CUSTOM
 - LOCKING
 - 1-POINT
 - 3-POINT
 - 2-POINT
 - STILES
 - NARROW
 - MEDIUM
 - BOTTOM RAILS
 - STANDARD 6"
 - OPTIONAL 8" 10" 12"
 - THRESHOLDS
 - SQ/BVL (EXT)
 - SQ/BVL (INT)
 - DBL BVL
 - RECESSED
 - OTHER OPTIONS
 - ARMORED STRIKE

NOTES

1. ELECTRICAL REQUIREMENTS: BY ELECTRICAL CONTRACTOR
 - 1.1 120 VAC, 5 AMP MIN TO OPERATOR.
 - 1.2 CONTROL CIRCUIT FROM ACTIVATION TO OPERATOR.
2. STANDARD GLAZING STOPS FOR ALL PANELS ARE 1/4"[6]; 5/8"[16] AND 1"[25] AVAILABLE.
3. STANDARD STILES, BOTTOM RAILS AND MUNTINS SHOWN; MEDIUM STILES, BOTTOM RAILS TO 12"[305], AND MUNTINS AVAILABLE.
4. DOORS MUST BE UN-LATCHED FOR PROPER OPERATION. PROVIDE TIME DELAY RELAY WHEN REQUIRED FOR PROPER OPERATION.
5. LIMITS OF ACTIVATION AND SAFETY ZONES ARE PROVIDED FOR REFERENCE ONLY; SEE ANSI/BHMA A156.10 FOR SPECIFIC REQUIREMENTS.
6. OPERATOR AND INSTALLATION TO COMPLY WITH ANSI/BHMA A156.10.
7. SEE SPECIFICATIONS FOR ADDITIONAL INFORMATION.

