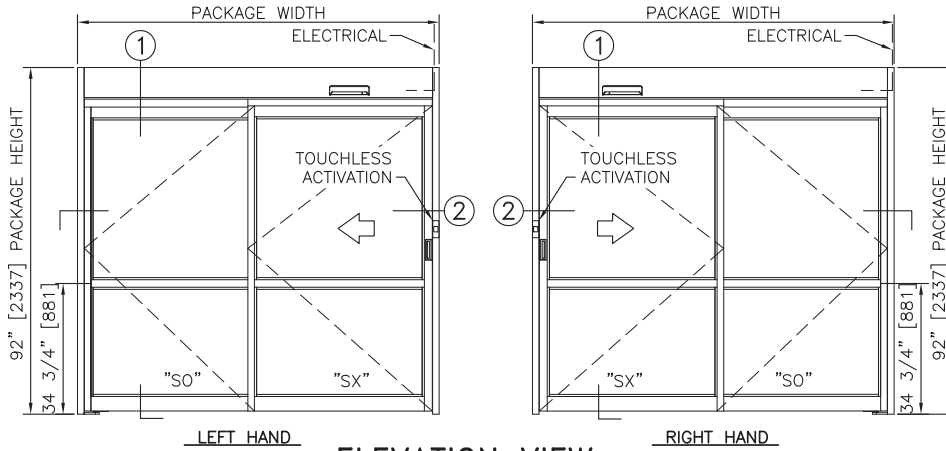


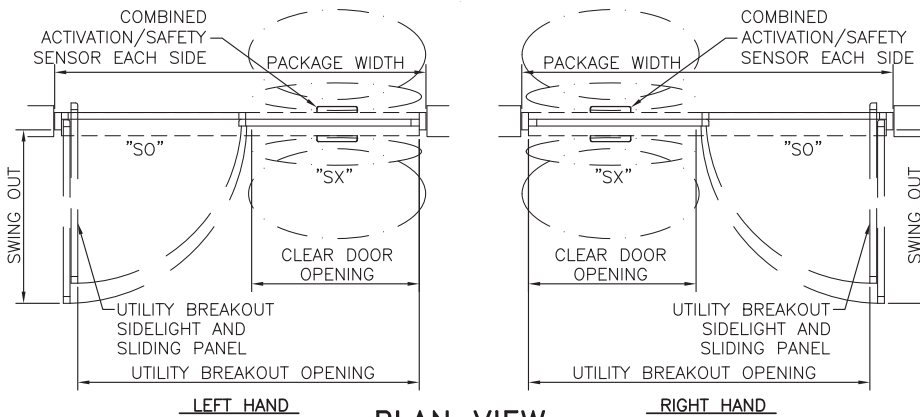


CONFIGURATIONS:	2-Panel: Smoke & Draft, Isolation, STC Rated, Trackless, Automatic
SWING OUT	2 Panels Swing Out from Fully Open Position
TYPICAL HEIGHT:	89" to 108" 92" (Std); Taller Available
TYPICAL WIDTH:	84" to 102", 96" (Std)
HEADER SIZE:	8" Nominal Height
JAMB DIMENSION:	4 1/2" x 1 3/4"
CLEAR DOOR OPENING WIDTH*:	37 3/8" to 49 3/8"; 43 3/8" at 96" (Std) Width
SWING OUT OPENING WIDTH:	76 1/4" to 100 1/4"; 88 1/4" at 96" (Std) Width
SUPPORTED GLAZING:	1/4" (Std); 5/8", 1/2", Integral Blinds, Electric Privacy Glass, STC Rated Glass
STILES:	Narrow
BOTTOM RAILS:	4" (Std), 6", 8", 10", 12", Other Custom
MUNTINS	0, 1 (Std) or 2
FINISHES:	Anodized, PVDF Paint, Anti-Microbial (Touch Points or All)
HARDWARE OPTIONS:	Catch-less Handle available in clear or black (Std) Optional: Positive Latch with Electric Strike and Catch-Less Hook Shield, Single-Point Locking
PRIMARY ACTIVATION:	Jamb Mounted Touch-less Wave Sensor
SAFETY	Overhead Sensor
LISTINGS:	UL1784, ASTM E283-04 (by equivalency to UL1784)
RATINGS:	Leakage (Smoke & Draft), Positive/Negative Pressure (Isolation), STC (Sound Transmittance)
CODES AND STANDARDS:	Full Energy ANSI/BHMA A156.10 (Std), Low Energy ANSI/BHMA A156.38 (Option) Smoke Provisions: NFPA 101, NFPA 105, IBC

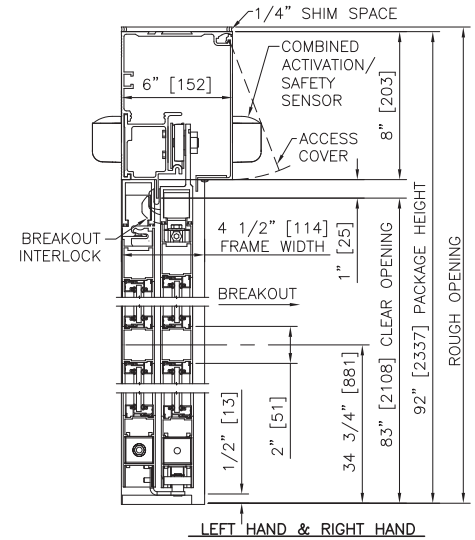
*Without Positive Latch



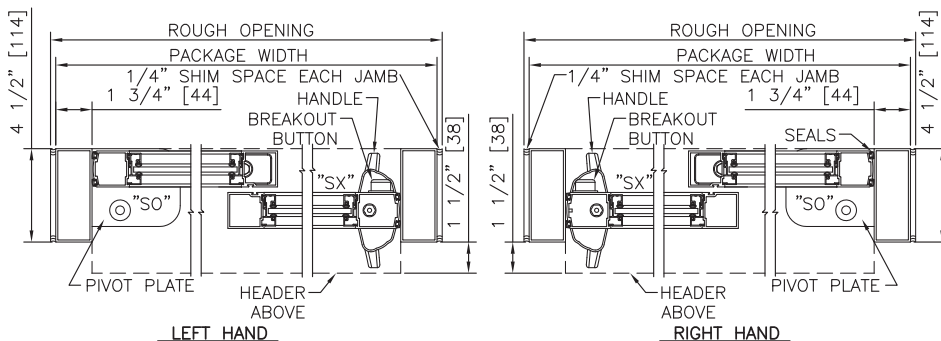
ELEVATION VIEW



PLAN VIEW



VERTICAL SECTION



HORIZONTAL SECTION

TYPICAL PACKAGE DIMENSIONS					
PACKAGE WIDTH	NOMINAL CLEAR DOOR OPENING	SLIDING DOOR NOMINAL WIDTH	SIDELIGHT NOMINAL WIDTH	UTILITY BREAKOUT NOMINAL WIDTH	SWING OUT NOMINAL WIDTH
84" [2134]	37.3" [949]	42.7" [1086]	39.9" [1013]	76.3" [1937]	40.5" [1028]
96" [2438]	43.3" [1101]	48.7" [1238]	45.9" [1165]	88.3" [2242]	46.5" [1181]
108" [2743]	49.3" [1253]	54.7" [1391]	51.9" [1318]	100.3" [2546]	52.5" [1333]

NOTES

- ELECTRICAL REQUIREMENTS: BY ELECTRICAL CONTRACTOR.
120 VAC, 5 AMP MIN TO POWER OPERATOR.
CONTROL CIRCUIT FROM REMOTE ACTIVATION TO OPERATOR.
- ROUGH OPENING SHALL PROVIDE 1/4" [6] SHIM SPACE ON SIDES AND TOP OF PACKAGE.
- STANDARD PACKAGE EXCLUDES LATCHING OR LOCKING. POSITIVE LATCHING AND LOCKING SYSTEMS AVAILABLE; POSITIVE LATCHING INCLUDED ON LEAKAGE RATED ASSEMBLIES; SMOKE & DRAFT, AND ISOLATION PACKAGES.
- STANDARD GLAZING STOPS FOR ALL PANELS ARE 1/4" [6]; 1/2" [13], 5/8" [16], AND 1" [25] AVAILABLE.
- STANDARD STILES, BOTTOM RAILS AND MUNTINS SHOWN; BOTTOM RAILS TO 12" [305], AND 4 1/4" [108] MUNTINS AVAILABLE.
- SLIDING PANELS MUST BE DRIVEN TO FULL OPEN POSITION AND ENGAGE FLOOR MOUNTED HINGE PINS PRIOR TO PANEL BREAKOUT.
- LIMITS OF ACTIVATION AND SAFETY ZONES ARE FOR REFERENCE ONLY; SEE ANSI/BHMA A156.10 FOR DETAILED REQUIREMENT. SENSORS NOT REQUIRED WHEN INSTALLED TO OPERATE UNDER ANSI/BHMA A156.38 STANDARD.
- SEE SPECIFICATIONS FOR ADDITIONAL INFORMATION.

SINGLE SLIDE FORMULAS

- PACKAGE WIDTH = 2 X CLEAR DOOR OPENING + 9.3" [236]
- CLEAR DOOR OPENING = 1/2 PACKAGE WIDTH - 4.7" [118]
- UTILITY BREAKOUT WIDTH = PACKAGE WIDTH - 7.8" [197]
- SX DOOR PANEL WIDTH = 1/2 PACKAGE WIDTH + 0.7" [19]
- SO DOOR PANEL WIDTH = 1/2 PACKAGE WIDTH - 2.1" [54]
- SWING OUT WIDTH = SX PANEL WIDTH - 2.3" [57]