

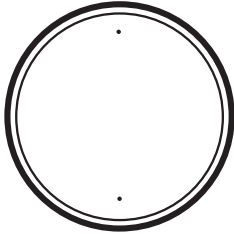


JOB NAME _____
 LOCATION _____

 DOOR NUMBER _____

MANUAL
ACTIVATORS

CIRCULAR PRESS SWITCH



PLAIN
STAINLESS STEEL
4 1/2"
DIAMETER



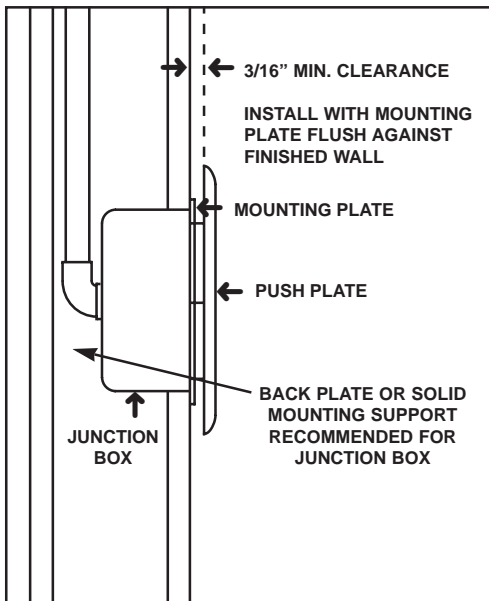
PRESS TO OPEN PLUS LOGO
STAINLESS STEEL
4 1/2" DIAMETER
(HC PTO)



PRESS TO OPEN
STAINLESS STEEL
4 1/2"
DIAMETER
(PTO)



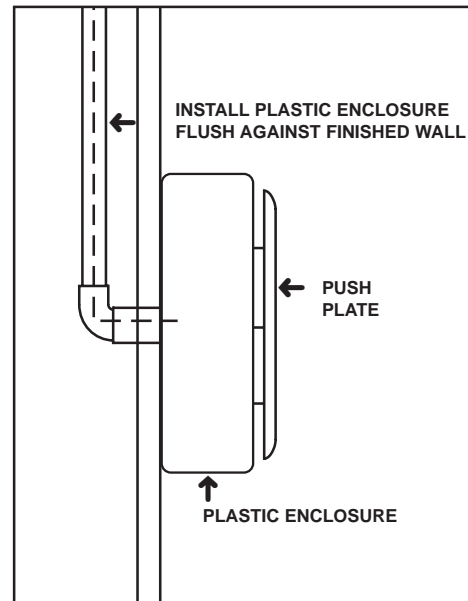
LOGO
STAINLESS STEEL
4 1/2" DIAMETER
(HC)



HARDWIRE

1. (2) #18 LOW VOLTAGE WIRES (OR PER LOCAL CODE) REQUIRED FROM OPERATOR TO EACH PUSH PLATE BY ELEC. CONTR.

2. JUNCTIONBOX BY ELEC. CONTR.



BATTERY (RADIO CONTROLLED) OR

1. PRESS SWITCH IS MOUNTED TO A SQUARE SURFACE BOX (6" X 6" X 2" DEEP).