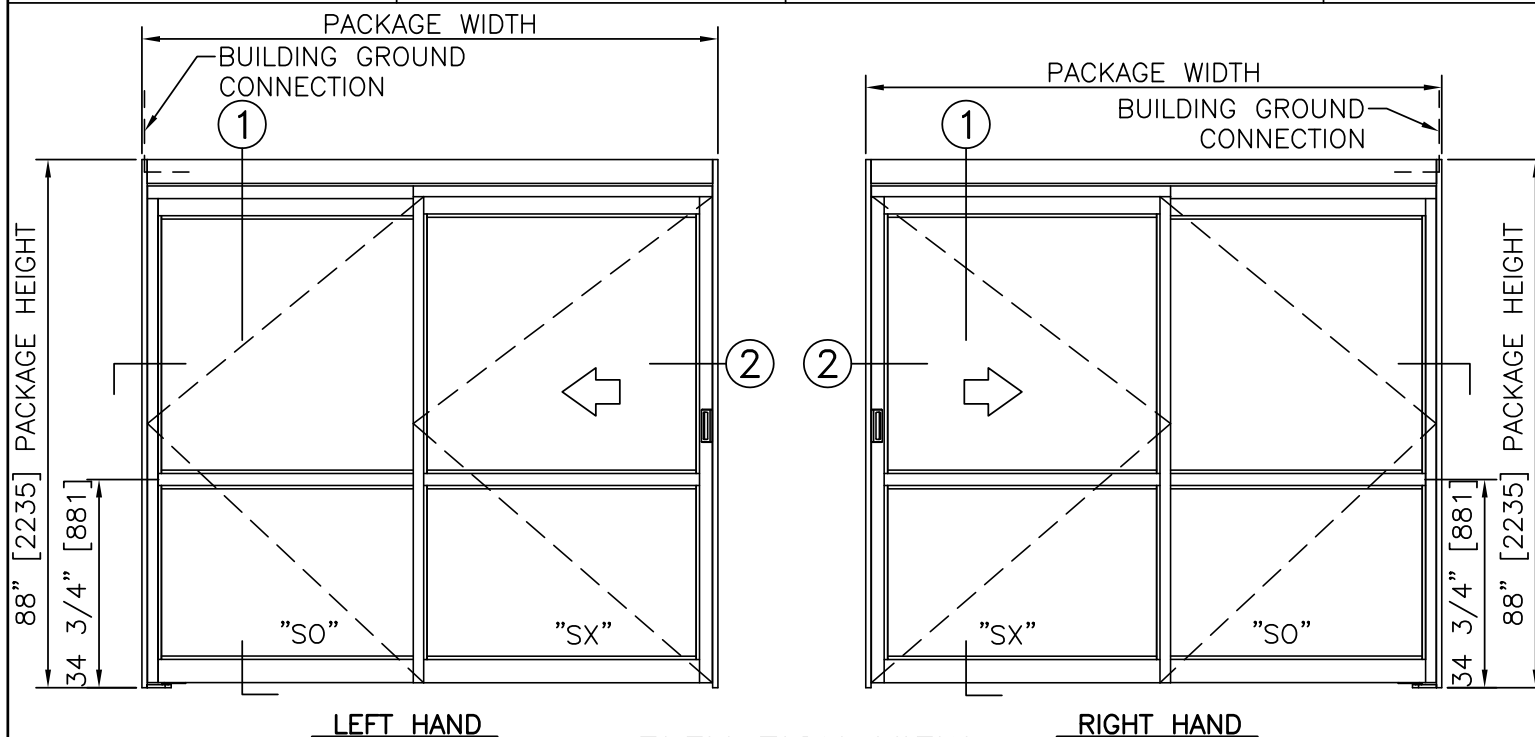




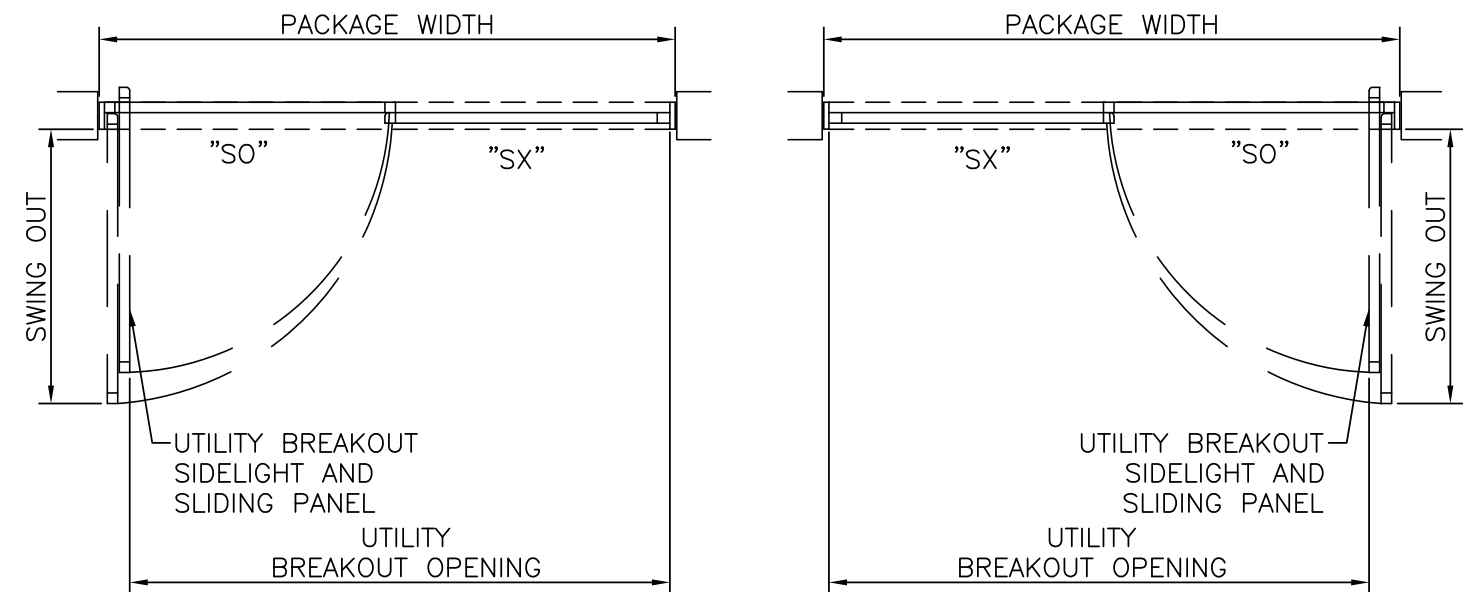
PROCARE™ 8300 SERIES

SINGLE SLIDE TRACKLESS PROJECT INFORMATION	
PROJECT NAME:	
LOCATION:	
DOOR NUMBER(S):	
DATE:	SHEET: OF



ELEVATION VIEW

SCALE: 3/8" = 1'-0"

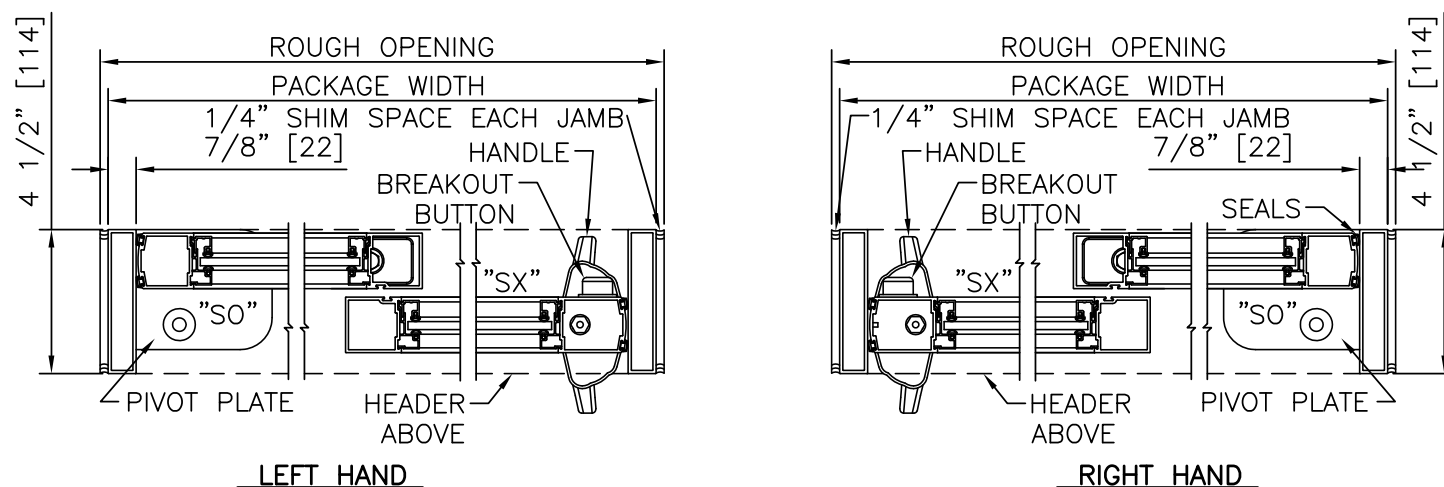


PLAN VIEW

SCALE: 3/8" = 1'-0"

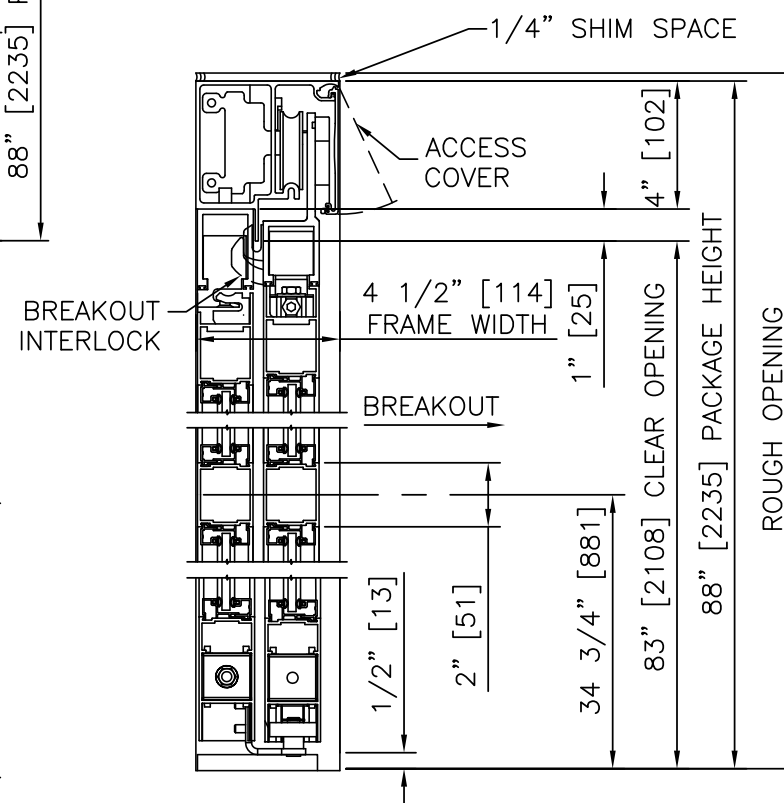
NOTES

1. CONNECTION TO BUILDING GROUND BY ELECTRICAL CONTRACTOR.
2. ROUGH OPENING SHALL PROVIDE 1/4"[6] SHIM SPACE ON SIDES AND TOP OF PACKAGE.
3. STANDARD PACKAGE EXCLUDES LATCHING OR LOCKING. POSITIVE LATCHING AND LOCKING SYSTEMS AVAILABLE; POSITIVE LATCHING INCLUDED ON LEAKAGE RATED ASSEMBLIES.
4. STANDARD GLAZING STOPS FOR ALL PANELS ARE 1/4"[6]; 1/2"[13], 5/8"[16], AND 1"[25] AVAILABLE.
5. STANDARD STILES, BOTTOM RAILS AND MUNTINS SHOWN; BOTTOM RAILS TO 12"[305], AND 4 1/4"[108] MUNTINS AVAILABLE.
6. SEE SPECIFICATIONS FOR ADDITIONAL INFORMATION.



HORIZONTAL SECTION

SCALE: 2" = 1'-0"



LEFT HAND & RIGHT HAND

VERTICAL SECTION

SCALE: 2" = 1'-0"

TYPICAL PACKAGE DIMENSIONS (7/8" JAMBS)					
PACKAGE WIDTH	NOMINAL CLEAR DOOR OPENING	SLIDING DOOR NOMINAL WIDTH	SIDELIGHT NOMINAL WIDTH	UTILITY BREAKOUT NOMINAL WIDTH	SWING OUT NOMINAL WIDTH
84" [2134]	38.2" [971]	43.6" [1108]	40.8" [1035]	78.0" [1981]	41.4" [1051]
96" [2438]	44.2" [1123]	49.6" [1260]	46.8" [1187]	90.0" [2286]	47.4" [1203]
108" [2743]	50.2" [1276]	55.6" [1413]	52.8" [1340]	102.0" [2591]	53.4" [1355]

- #### PRODUCT OPTIONS
- FINISH**
- ANODIZED CLEAR CL2
 - CUSTOM
- LATCHING/LOCKING**
- POSITIVE LATCH
 - 1-POINT
 - LOCK INDICATOR
- BOTTOM RAILS**
- STANDARD 4"
 - OPTIONAL 6" 8" 10" 12"
- MUNTINS**
- STANDARD 2" 4 1/4"
 - QUANTITY 0 1 2
- JAMBS**
- 7/8" X 4 1/2" RECTANGULAR JAMB
 - 7/8" X 4 1/2" POCKET JAMB
 - 1 3/4" X 4 1/2" RECTANGULAR JAMB
 - 1 3/4" X 4 1/2" POCKET JAMB
- OTHER OPTIONS**
- SMOKE & DRAFT CONTROL PACKAGE
 - ISOLATION PACKAGE (+/- PRESSURE)
 - ANTI-MICROBIAL COATING
 - TOUCH POINTS
 - PANELS, FRAME, HEADER
 - SELF CLOSING (SLIDING), W/ HOLD OPEN
 - STC PACKAGE

SINGLE SLIDE FORMULAS (7/8" JAMBS)
 PACKAGE WIDTH = 2 X CLEAR DOOR OPENING + 7.6"[192]
 CLEAR DOOR OPENING = 1/2 PACKAGE WIDTH - 3.8"[96]
 UTILITY BREAKOUT WIDTH = PACKAGE WIDTH - 6.0"[152]
 SX DOOR PANEL WIDTH = 1/2 PACKAGE WIDTH + 1.6"[41]
 SO DOOR PANEL WIDTH = 1/2 PACKAGE WIDTH - 1.3"[32]
 SWING OUT WIDTH = SX PANEL WIDTH - 2.3"[57]

SINGLE SLIDE FORMULAS (1 3/4" JAMBS)
 PACKAGE WIDTH = 2 X CLEAR DOOR OPENING + 9.3"[236]
 CLEAR DOOR OPENING = 1/2 PACKAGE WIDTH - 4.7"[118]
 UTILITY BREAKOUT WIDTH = PACKAGE WIDTH - 7.8"[197]
 SX DOOR PANEL WIDTH = 1/2 PACKAGE WIDTH + 0.7"[19]
 SO DOOR PANEL WIDTH = 1/2 PACKAGE WIDTH - 2.1"[54]
 SWING OUT WIDTH = SX PANEL WIDTH - 2.3"[57]

SINGLE SLIDE TRACKLESS

PROCARE™
8300
SERIES

**PROCARE™
8300
SERIES**

SINGLE SLIDE RIGHT HAND TRACKLESS

PROJECT INFORMATION

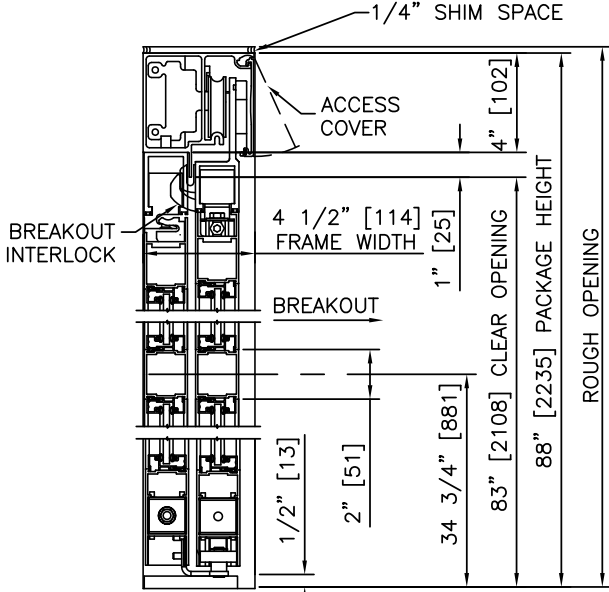
PROJECT NAME:

LOCATION:

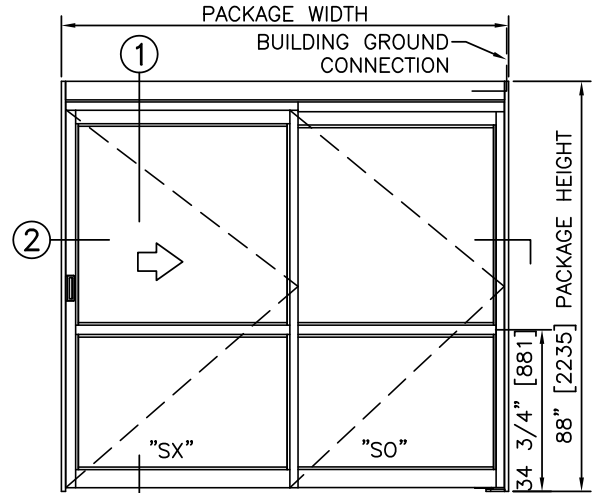
DOOR NUMBER(S):

DATE:

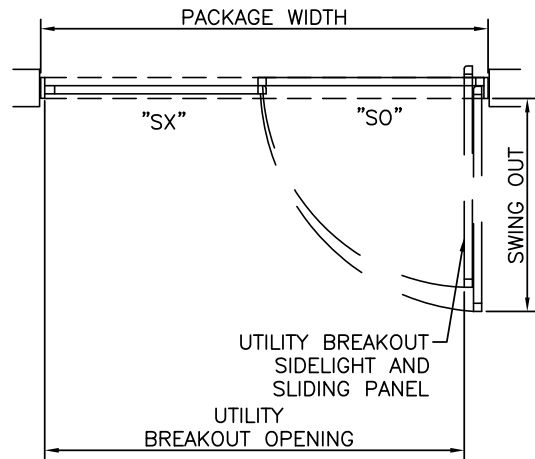
SHEET: OF



① VERTICAL SECTION



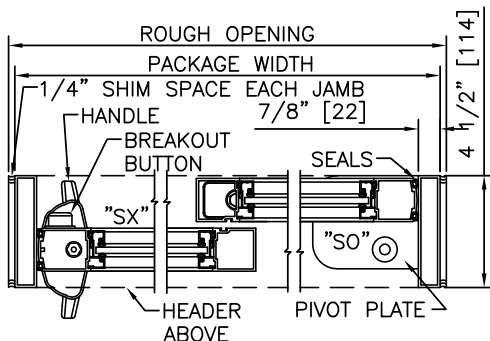
ELEVATION



PLAN

NOTES

1. CONNECTION TO BUILDING GROUND BY ELECTRICAL CONTRACTOR.
2. ROUGH OPENING SHALL PROVIDE 1/4"[6] SHIM SPACE ON SIDES AND TOP OF PACKAGE.
3. STANDARD PACKAGE EXCLUDES LATCHING OR LOCKING. POSITIVE LATCHING AND LOCKING SYSTEMS AVAILABLE; POSITIVE LATCHING INCLUDED ON LEAKAGE RATED ASSEMBLIES.
4. SEE SPECIFICATIONS FOR ADDITIONAL INFORMATION.



② HORIZONTAL SECTION

TYPICAL PACKAGE DIMENSIONS (7/8" JAMBS)					
PACKAGE WIDTH	NOMINAL CLEAR DOOR OPENING	SLIDING DOOR NOMINAL WIDTH	SIDELIGHT NOMINAL WIDTH	UTILITY BREAKOUT NOMINAL WIDTH	SWING OUT NOMINAL WIDTH
84" [2134]	38.2" [971]	43.6" [1108]	40.8" [1035]	78.0" [1981]	41.4" [1051]
96" [2438]	44.2" [1123]	49.6" [1260]	46.8" [1187]	90.0" [2286]	47.4" [1203]
108" [2743]	50.2" [1276]	55.6" [1413]	52.8" [1340]	102.0" [2591]	53.4" [1355]

**PROCARE™
8300
SERIES**

SINGLE SLIDE LEFT HAND TRACKLESS

PROJECT INFORMATION

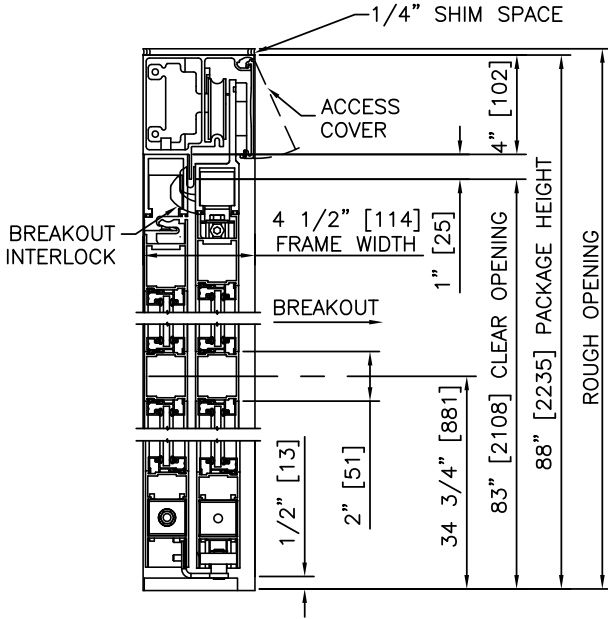
PROJECT NAME:

LOCATION:

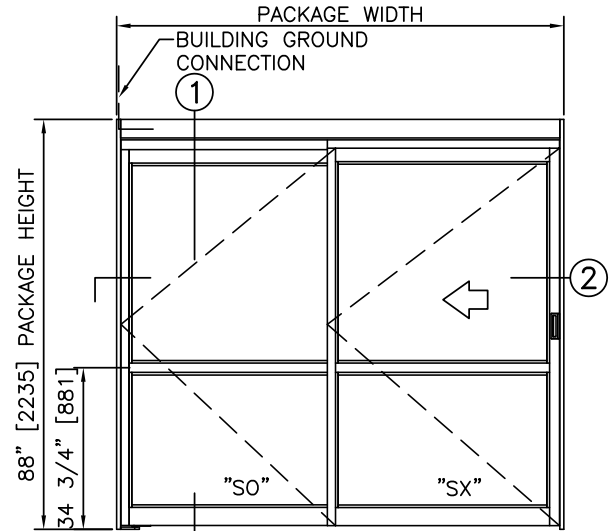
DOOR NUMBER(S):

DATE:

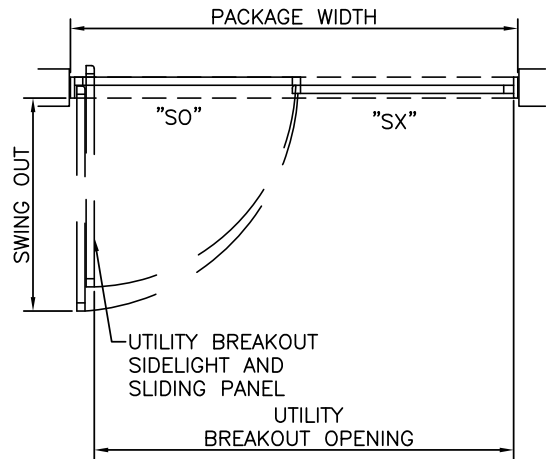
SHEET: OF



① VERTICAL SECTION



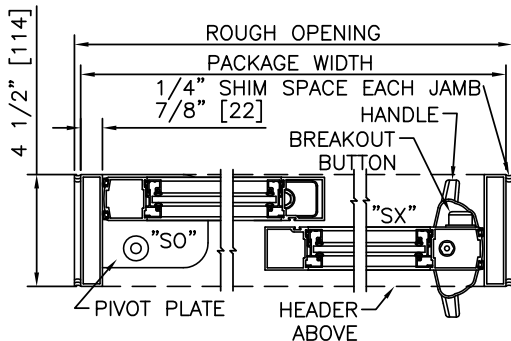
ELEVATION



PLAN

NOTES

1. CONNECTION TO BUILDING GROUND BY ELECTRICAL CONTRACTOR.
2. ROUGH OPENING SHALL PROVIDE 1/4" [6] SHIM SPACE ON SIDES AND TOP OF PACKAGE.
3. STANDARD PACKAGE EXCLUDES LATCHING OR LOCKING. POSITIVE LATCHING AND LOCKING SYSTEMS AVAILABLE; POSITIVE LATCHING INCLUDED ON LEAKAGE RATED ASSEMBLIES.
4. SEE SPECIFICATIONS FOR ADDITIONAL INFORMATION.



② HORIZONTAL SECTION

TYPICAL PACKAGE DIMENSIONS (7/8" JAMBS)					
PACKAGE WIDTH	NOMINAL CLEAR DOOR OPENING	SLIDING DOOR NOMINAL WIDTH	SIDELIGHT NOMINAL WIDTH	UTILITY BREAKOUT NOMINAL WIDTH	SWING OUT NOMINAL WIDTH
84" [2134]	38.2" [971]	43.6" [1108]	40.8" [1035]	78.0" [1981]	41.4" [1051]
96" [2438]	44.2" [1123]	49.6" [1260]	46.8" [1187]	90.0" [2286]	47.4" [1203]
108" [2743]	50.2" [1276]	55.6" [1413]	52.8" [1340]	102.0" [2591]	53.4" [1355]

**PROCARE™
8300
SERIES**

SINGLE SLIDE RIGHT HAND TRACKLESS, SMOKE & DRAFT

PROJECT INFORMATION

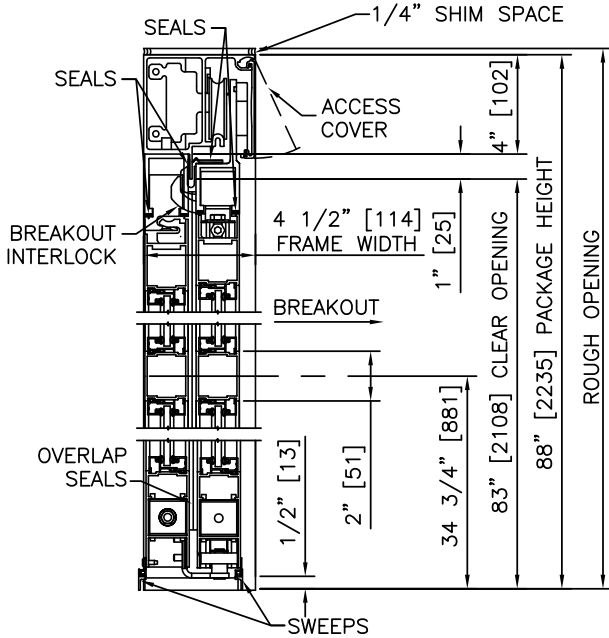
PROJECT NAME:

LOCATION:

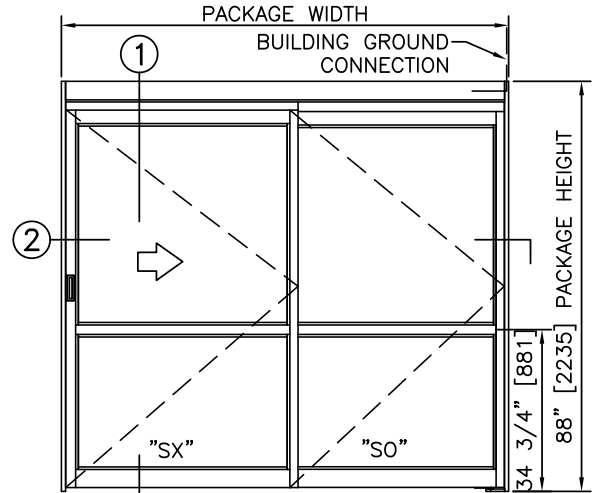
DOOR NUMBER(S):

DATE:

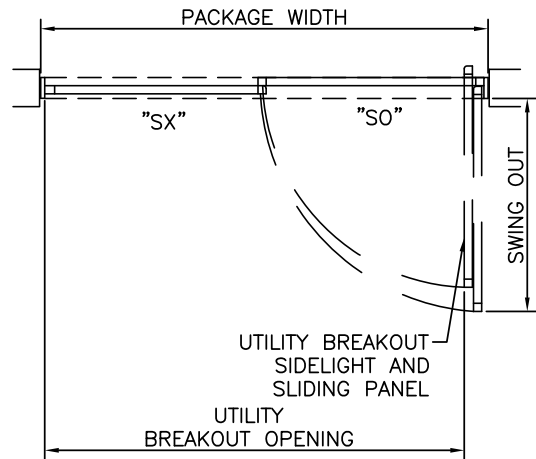
SHEET: OF



① VERTICAL SECTION



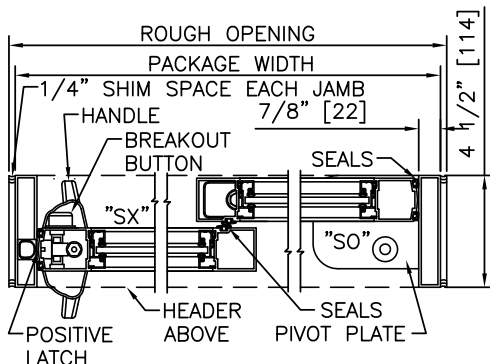
ELEVATION



PLAN

NOTES

1. CONNECTION TO BUILDING GROUND BY ELECTRICAL CONTRACTOR.
2. ROUGH OPENING SHALL PROVIDE 1/4"[6] SHIM SPACE ON SIDES AND TOP OF PACKAGE.
3. STANDARD PACKAGE INCLUDES POSITIVE LATCHING. LOCKING SYSTEMS AVAILABLE
4. PRODUCT IS CERTIFIED AS AN EFFECTIVE BARRIER AGAINST THE PASSAGE OF SMOKE IN ACCORDANCE WITH UL1784.
5. SEE SPECIFICATIONS FOR ADDITIONAL INFORMATION.



② HORIZONTAL SECTION

TYPICAL PACKAGE DIMENSIONS (7/8" JAMBS)					
PACKAGE WIDTH	NOMINAL CLEAR DOOR OPENING	SLIDING DOOR NOMINAL WIDTH	SIDLIGHT NOMINAL WIDTH	UTILITY BREAKOUT NOMINAL WIDTH	SWING OUT NOMINAL WIDTH
84" [2134]	38.2" [971]	43.6" [1108]	40.8" [1035]	78.0" [1981]	41.4" [1051]
96" [2438]	44.2" [1123]	49.6" [1260]	46.8" [1187]	90.0" [2286]	47.4" [1203]
108" [2743]	50.2" [1276]	55.6" [1413]	52.8" [1340]	102.0" [2591]	53.4" [1355]

**PROCARE™
8300
SERIES**

SINGLE SLIDE LEFT HAND TRACKLESS, SMOKE & DRAFT

PROJECT INFORMATION

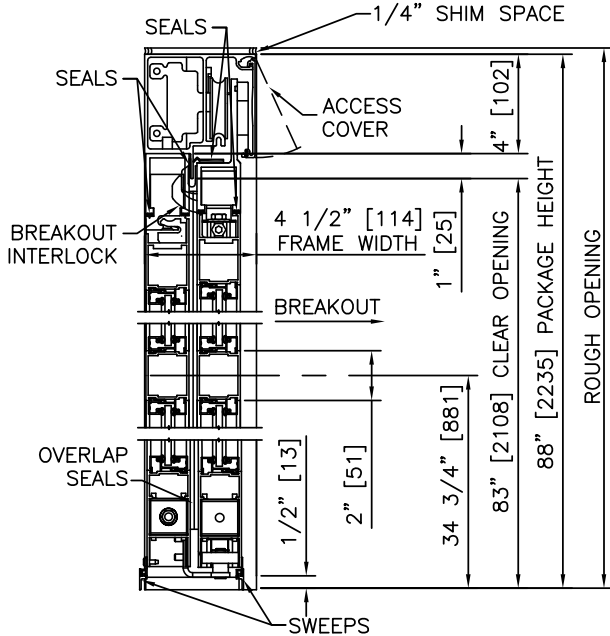
PROJECT NAME:

LOCATION:

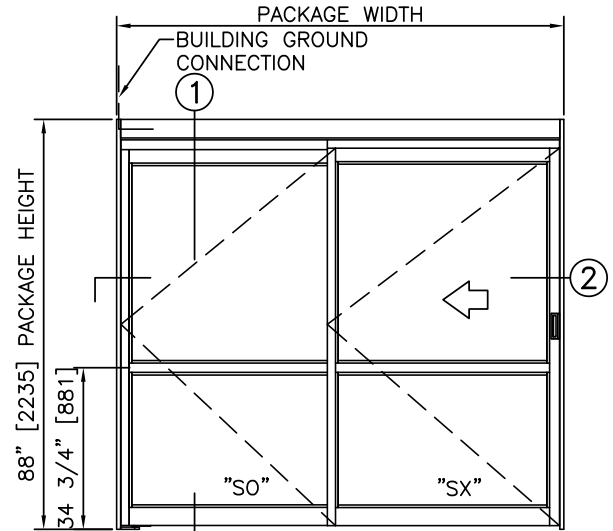
DOOR NUMBER(S):

DATE:

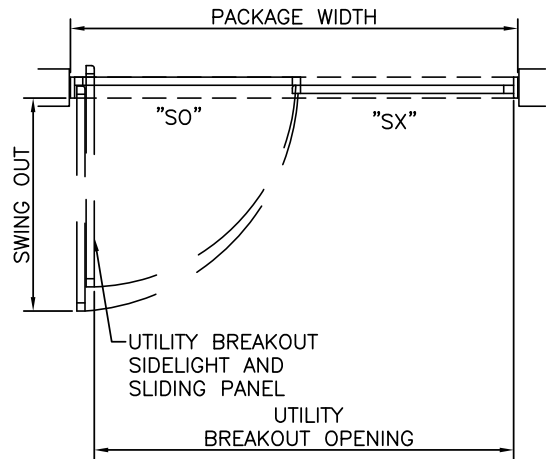
SHEET: OF



① VERTICAL SECTION



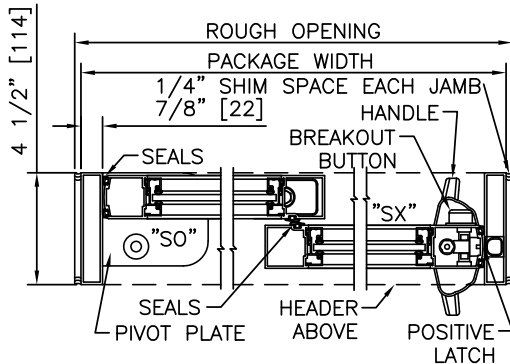
ELEVATION



PLAN

NOTES

1. CONNECTION TO BUILDING GROUND BY ELECTRICAL CONTRACTOR.
2. ROUGH OPENING SHALL PROVIDE 1/4"[6] SHIM SPACE ON SIDES AND TOP OF PACKAGE.
3. STANDARD PACKAGE INCLUDES POSITIVE LATCHING. LOCKING SYSTEMS AVAILABLE.
4. PRODUCT IS CERTIFIED AS AN EFFECTIVE BARRIER AGAINST THE PASSAGE OF SMOKE IN ACCORDANCE WITH UL1784.
5. SEE SPECIFICATIONS FOR ADDITIONAL INFORMATION.



② HORIZONTAL SECTION

TYPICAL PACKAGE DIMENSIONS (7/8" JAMBS)

PACKAGE WIDTH	NOMINAL CLEAR DOOR OPENING	SLIDING DOOR NOMINAL WIDTH	SIDELIGHT NOMINAL WIDTH	UTILITY BREAKOUT NOMINAL WIDTH	SWING OUT NOMINAL WIDTH
84" [2134]	38.2" [971]	43.6" [1108]	40.8" [1035]	78.0" [1981]	41.4" [1051]
96" [2438]	44.2" [1123]	49.6" [1260]	46.8" [1187]	90.0" [2286]	47.4" [1203]
108" [2743]	50.2" [1276]	55.6" [1413]	52.8" [1340]	102.0" [2591]	53.4" [1355]