



SLIDING AUTOMATIC ENTRANCES: TRANSOM OPTIONS DURA-STORM™ 2000/3000

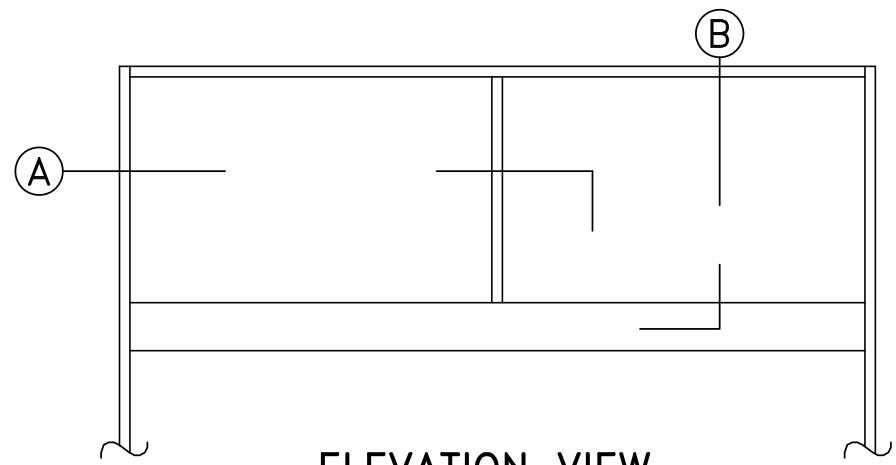
2.70 - TRANSOM OPTIONS

- 2.70.01 - 2000 TRANSOM OPTIONS
- 2.70.02 - 3000 TRANSOM OPTIONS

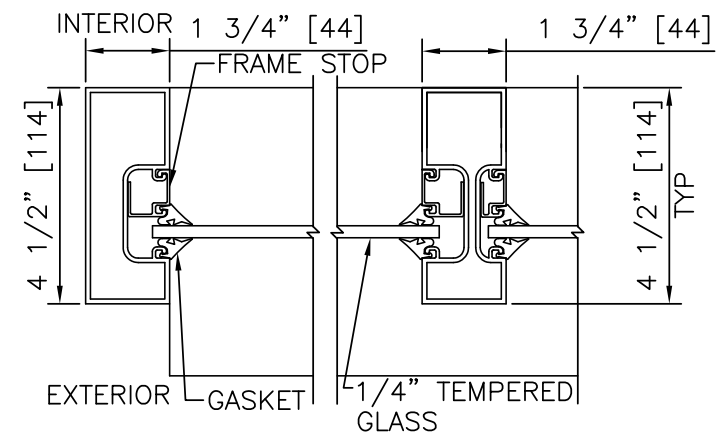


DURA-STORM 2000/3000 SERIES

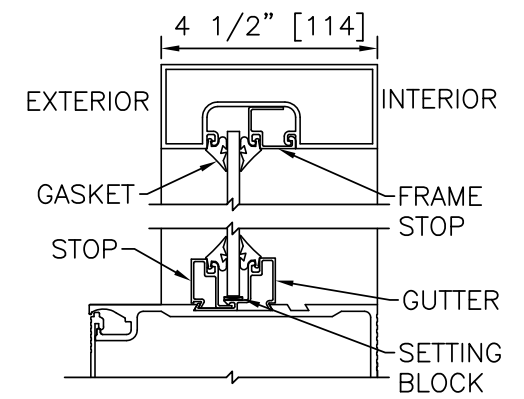
| TRANSOM OPTIONS, NON-IMPACT | |
|-----------------------------|-----------|
| PROJECT INFORMATION | |
| PROJECT NAME: | |
| LOCATION: | |
| DOOR NUMBER(S): | |
| DATE: | SHEET: OF |



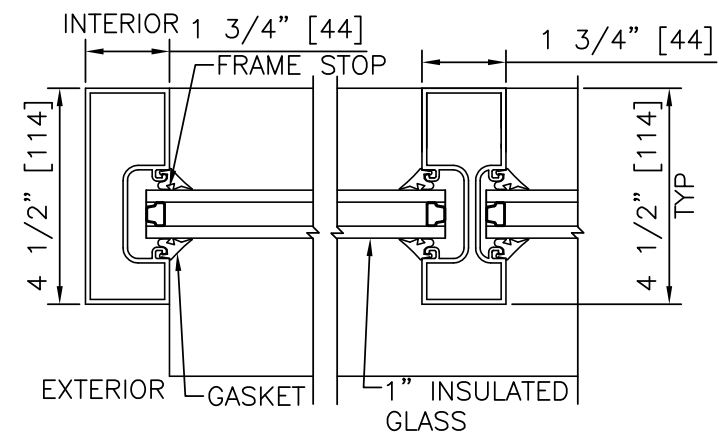
ELEVATION VIEW
SCALE: NOT TO SCALE



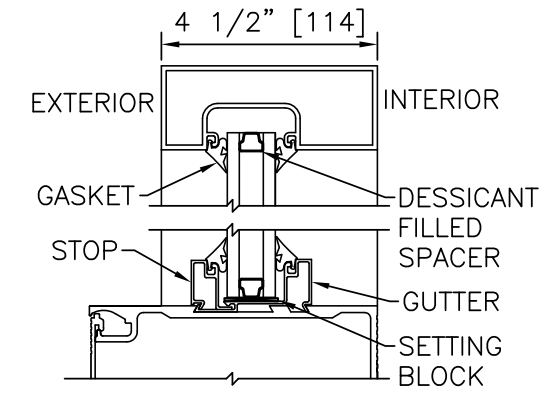
A1 HORIZONTAL SECTION
1/4" GLASS



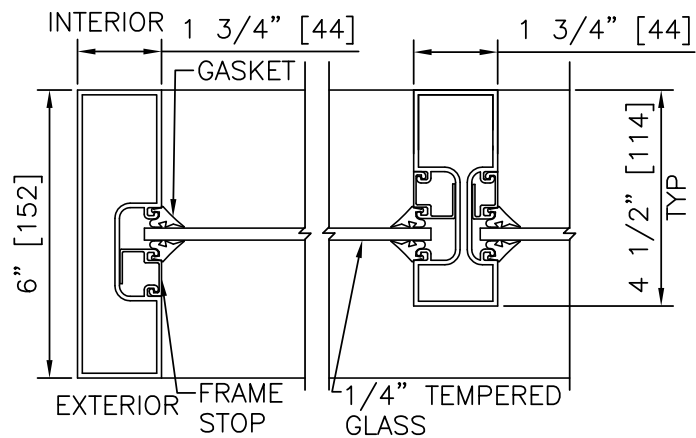
B1 VERTICAL SECTION
1/4" GLASS



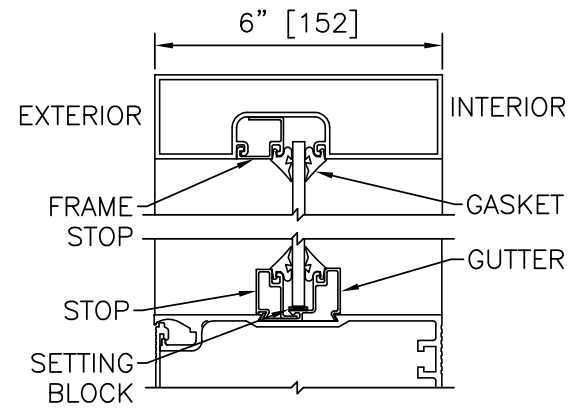
A3 HORIZONTAL SECTION
1" GLASS



B3 VERTICAL SECTION
1" GLASS



A1 HORIZONTAL SECTION
1/4" GLASS



B3 VERTICAL SECTION
1/4" GLASS

DURA-STORM 6" FRAME OPTION

SCALE: 3" = 1'-0"

DURA-STORM 4 1/2" FRAME

SCALE: 3" = 1'-0"

NOTES

- "INTERIOR" AND "EXTERIOR" ORIENTATION VARIES WITH PACKAGE TYPE. SEE SPECIFIC PACKAGE DRAWINGS FOR CORRECT ORIENTATION.
- SEE SPECIFICATIONS FOR ADDITIONAL INFORMATION.

| TRANSOM OPTIONS, NON-IMPACT | |
|--|---|
| DURA-STORM 2000/3000 SERIES | STANLEY Security ACCESS TECHNOLOGIES |

**DURA-STORM
2000
SERIES**

2000 TRANSOM OPTIONS

PROJECT INFORMATION

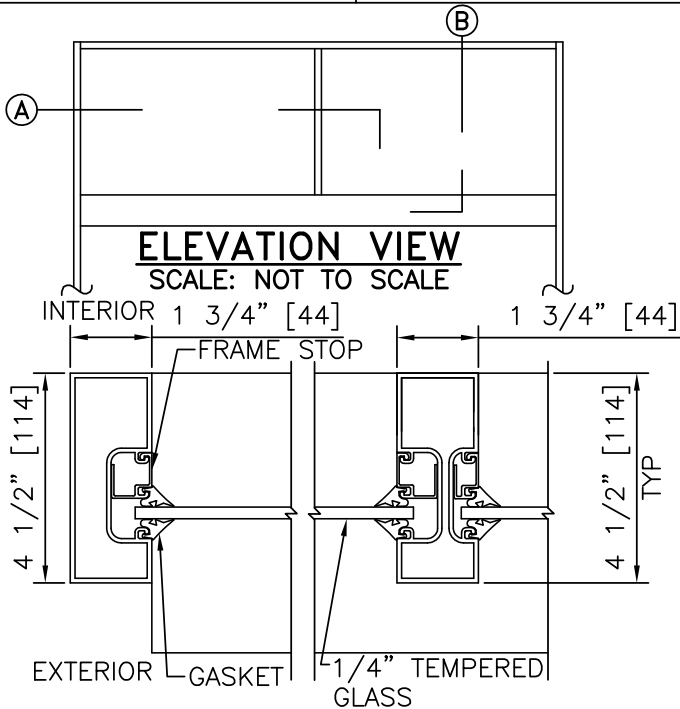
PROJECT NAME:

LOCATION:

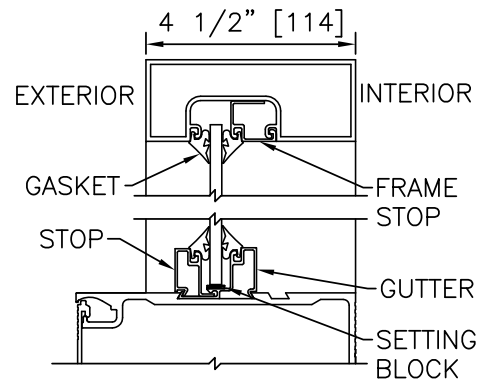
DOOR NUMBER(S):

DATE:

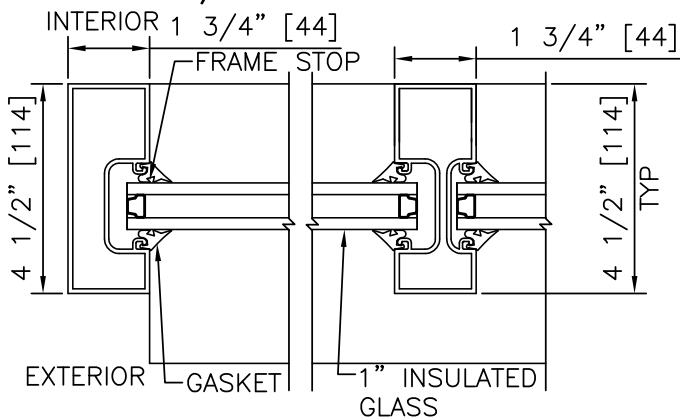
SHEET: OF



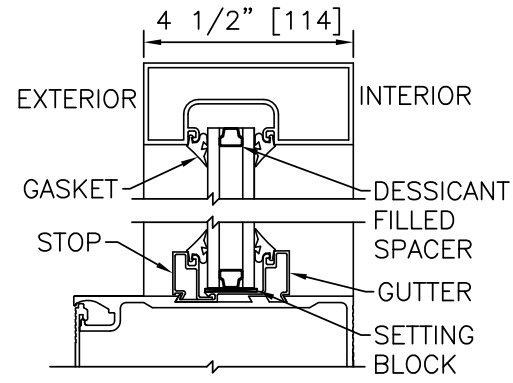
A1 HORIZONTAL SECTION
1/4" GLASS



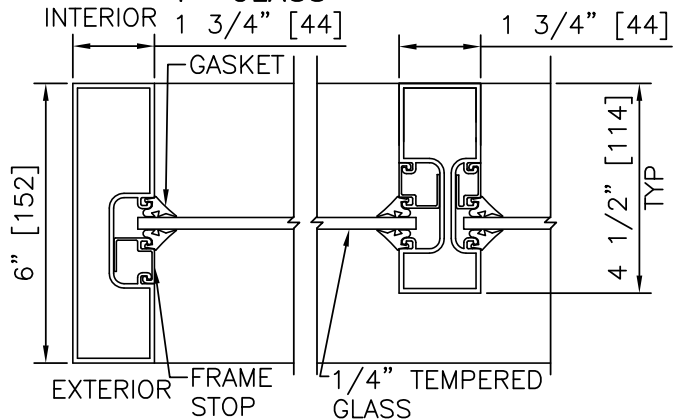
B1 VERTICAL SECTION
1/4" GLASS



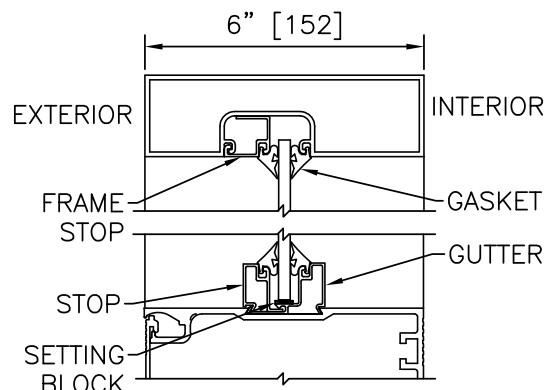
A2 HORIZONTAL SECTION
1" GLASS



B2 VERTICAL SECTION
1" GLASS



A3 HORIZONTAL SECTION
1/4" GLASS



B3 VERTICAL SECTION
1/4" GLASS

**DURA-STORM
3000
SERIES**

3000 TRANSOM OPTIONS

PROJECT INFORMATION

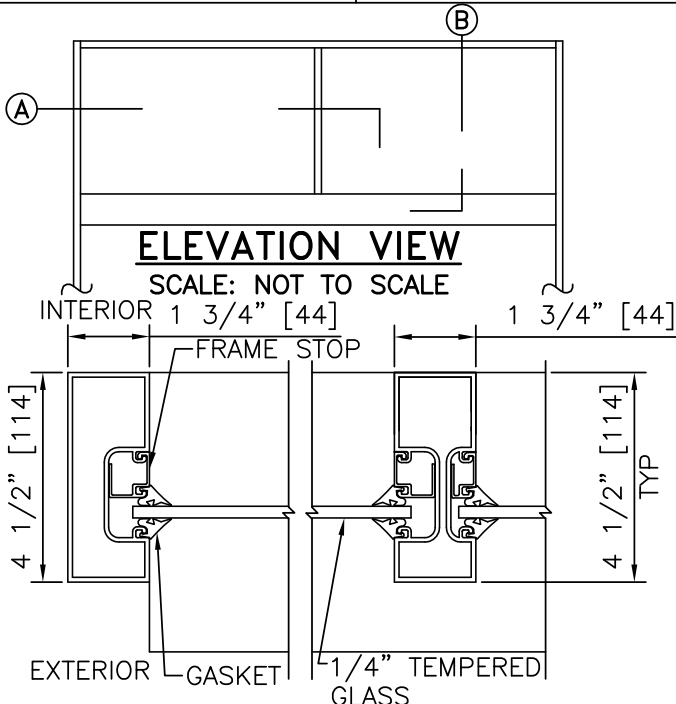
PROJECT NAME:

LOCATION:

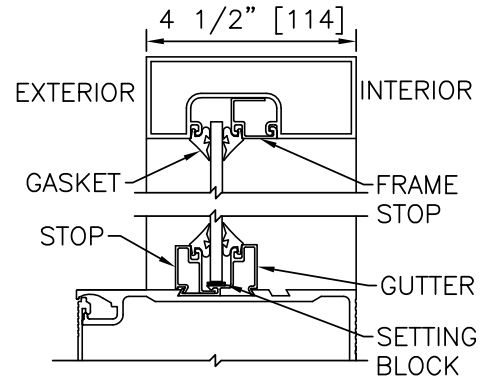
DOOR NUMBER(S):

DATE:

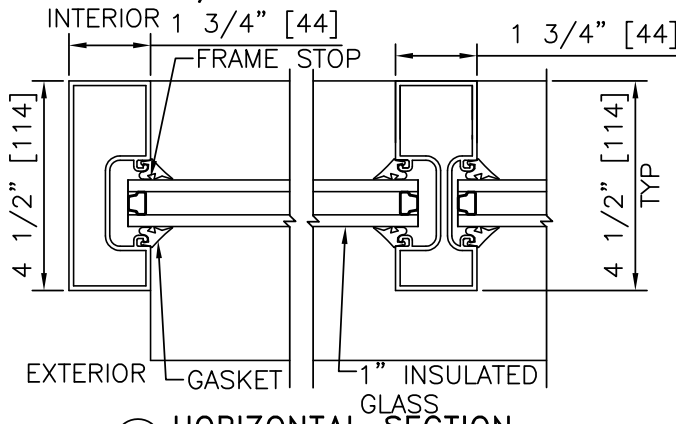
SHEET: OF



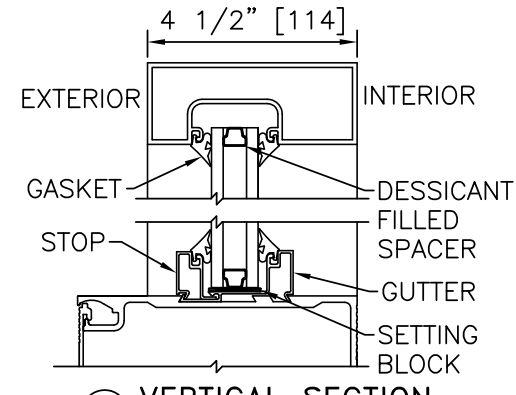
A1 HORIZONTAL SECTION
1/4" GLASS



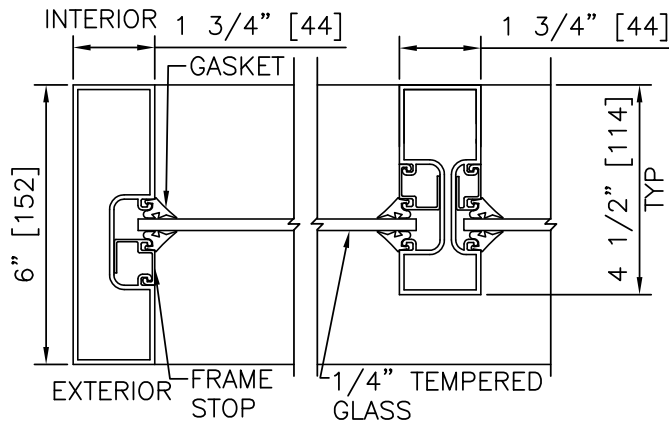
B1 VERTICAL SECTION
1/4" GLASS



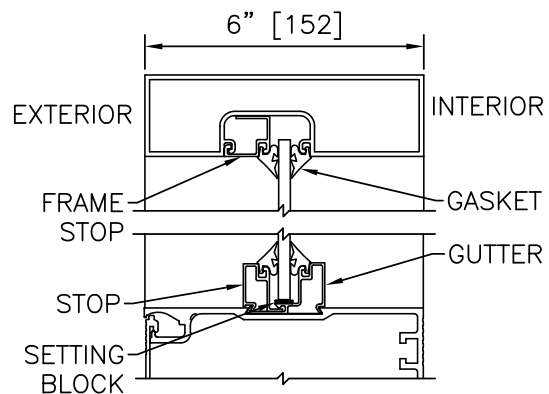
A2 HORIZONTAL SECTION
1" GLASS



B2 VERTICAL SECTION
1" GLASS



A3 HORIZONTAL SECTION
1/4" GLASS



B3 VERTICAL SECTION
1/4" GLASS