



**SLIDING AUTOMATIC ENTRANCES:
DURA-SHIELD™ BALLISTIC/BLAST SERIES, SINGLE SLIDE**

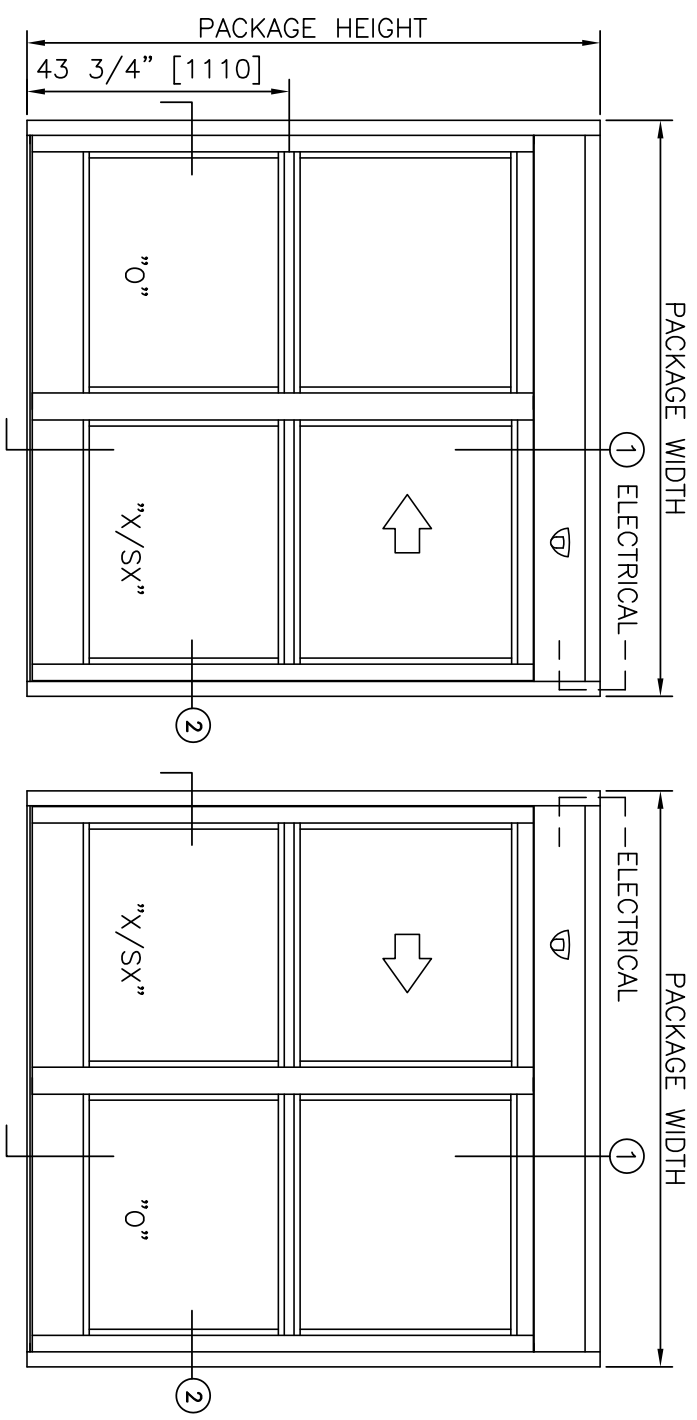
2.21 - SINGLE SLIDE

STANLEY
 Security
ACCESS TECHNOLOGIES

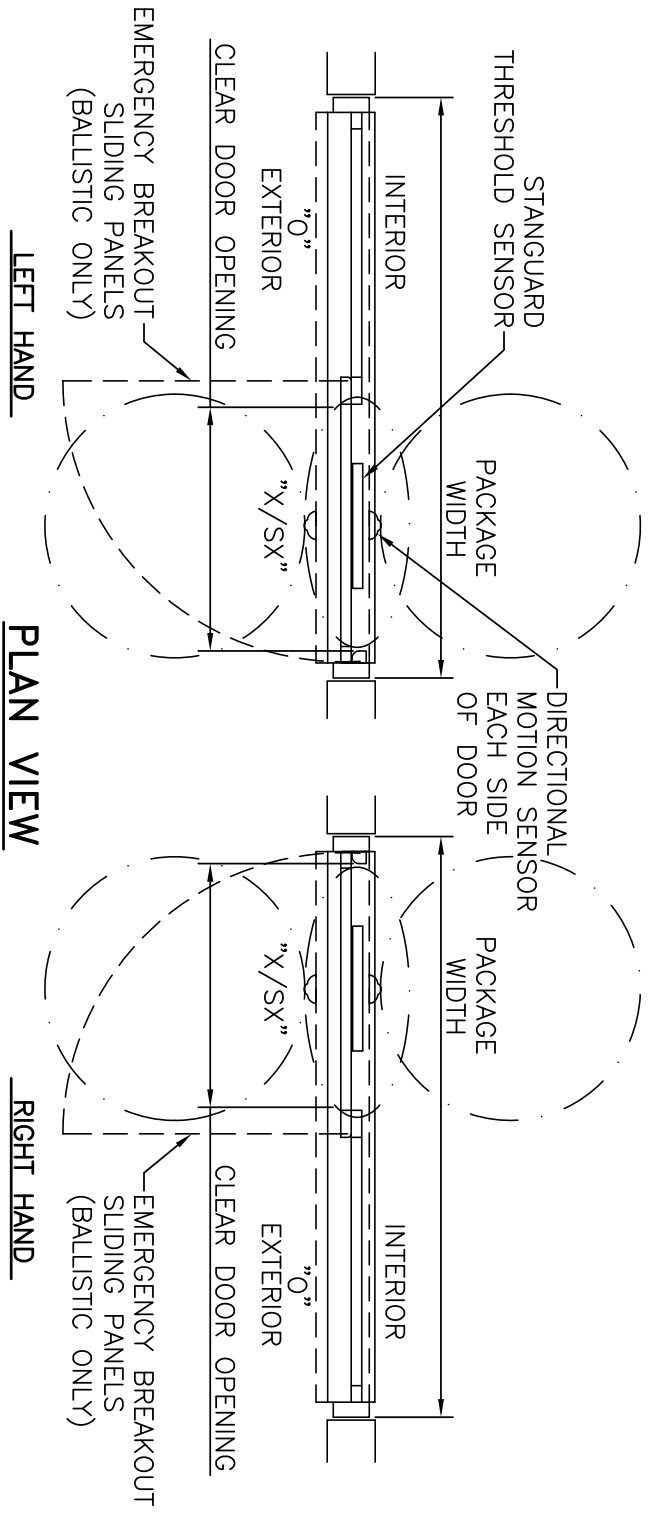
DURA-SHIELD
SECURITY
SERIES

SINGLE SLIDE BALLISTIC/BLAST
 PROJECT INFORMATION

<small>PROJECT NAME:</small>	<small>PROJECT INFORMATION</small>
<small>LOCATION:</small>	
<small>DOOR NUMBER(S):</small>	
<small>DATE:</small>	
<small>SHEET:</small>	<small>OF</small>

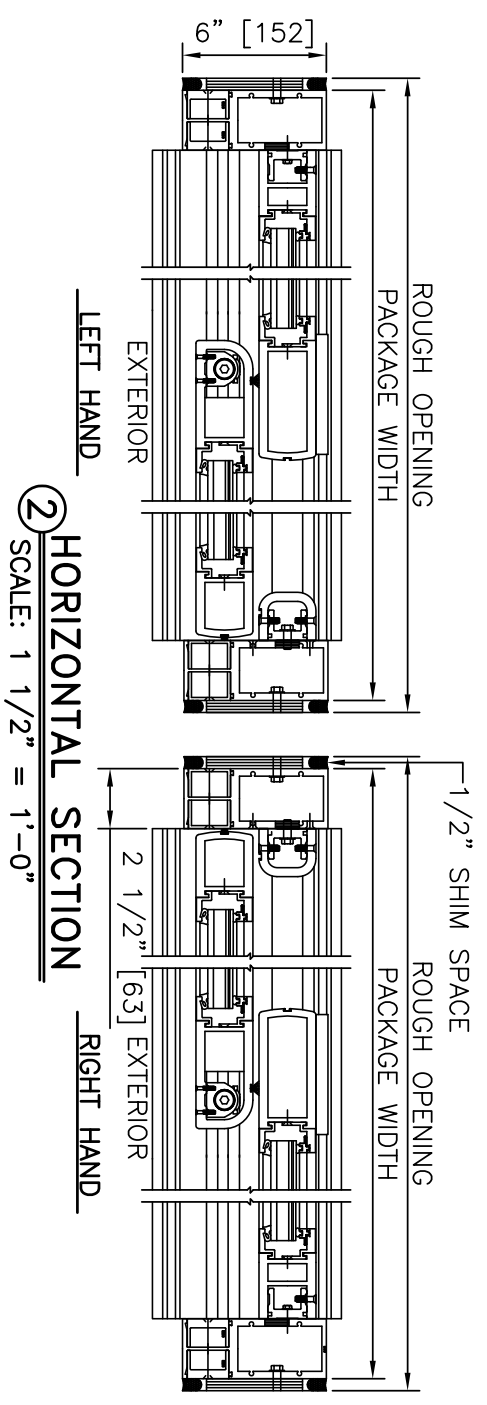


ELEVATION VIEW
 SCALE: 3/8" = 1'-0"

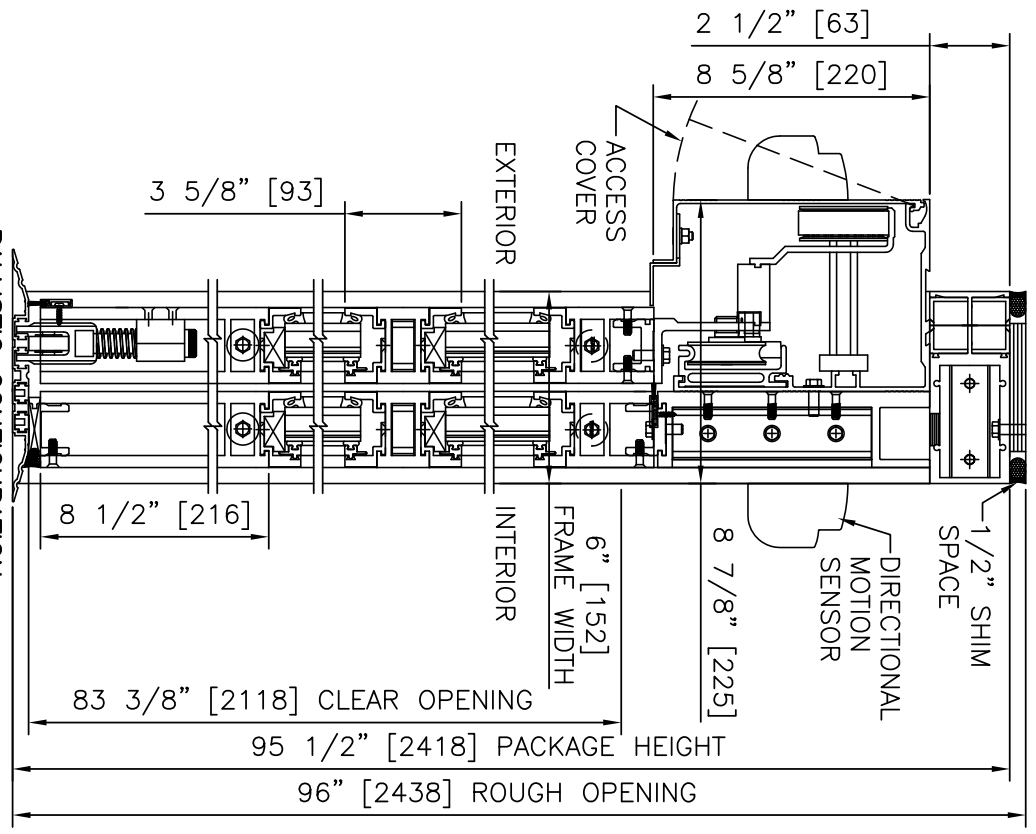


PLAN VIEW
 SCALE: 3/8" = 1'-0"

- NOTES**
- ELECTRICAL REQUIREMENTS: 120 VAC, 10 AMP MIN TO POWER OPERATOR BY ELECTRICAL CONTRACTOR.
 - ROUGH OPENING SHALL PROVIDE 1/2"[6] SHIM SPACE ON SIDES AND TOP OF PACKAGE.
 - LIMITS OF ACTIVATION AND SAFETY ZONES ARE FOR REFERENCE ONLY; SEE ANSI/BHMA A156.10 FOR DETAILED REQUIREMENTS.
 - BLAST ENTRANCES DESIGNED IN COMPLIANCE WITH UFC 4-010-01. BLAST ENTRANCES EXCLUDE BREAKOUT; X-PANEL DESIGN.
 - BALLISTIC ENTRANCES ARE UL 752 LISTED, LEVEL III. BALLISTIC ENTRANCES INCLUDE BREAKOUT; SX-PANEL DESIGN.
 - SEE SPECIFICATIONS FOR ADDITIONAL INFORMATION.



HORIZONTAL SECTION
 SCALE: 1 1/2" = 1'-0"



BALLISTIC CONFIGURATION
VERTICAL SECTION
 SCALE: 2" = 1'-0"

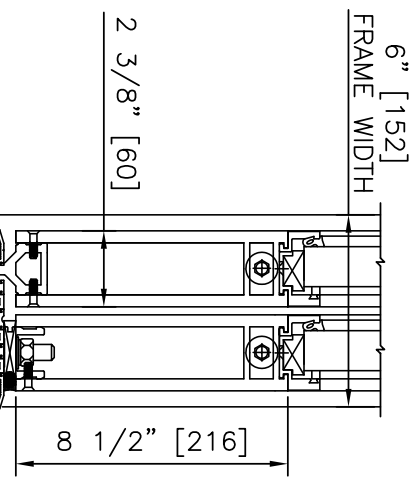
TYPICAL PACKAGE DIMENSIONS			
PACKAGE WIDTH	NOMINAL CLEAR DOOR OPENING	PANEL NOMINAL WIDTH	EMERGENCY BREAKOUT NOM. WIDTH
96"	36 1/16"	47 15/16"	41 9/16"
108"	42 1/16"	53 15/16"	47 9/16"

EMERGENCY BREAKOUT NOMINAL WIDTH FOR BALLISTIC CONFIGURATION ONLY.

PRODUCT OPTIONS

- FINISH
- ANODIZED CLEAR CL2
- ANODIZED DK BRONZE
- CUSTOM
- BOTTOM RAILS
- 8 1/2" (STD)
- 2 3/4"
- LOCKING
- SOLENOID LOCK
- THRESHOLDS
- SQ/BVL (EXT)
- DBL BVL
- SQ/BVL (INT)
- RECESSED
- ACTIVATION/SAFETY
- 2 SU-100/STANGUARD
- 2 COMBINED ACTIVATION/SAFETY SENSORS
- OTHER OPTIONS
- UNINTERRUPTIBLE POWER SUPPLY
- FLY OPEN BOX
- JAMB CAMS

BLAST CONFIGURATION
VERTICAL SECTION
 SCALE: 2" = 1'-0"



STANLEY
 Security
ACCESS TECHNOLOGIES

DURA-SHIELD
SECURITY
SERIES