



**SLIDING AUTOMATIC ENTRANCES:  
DURA-SHIELD™ BALLISTIC/BLAST SERIES, BI-PARTING**

**2.20 - BI-PARTING**

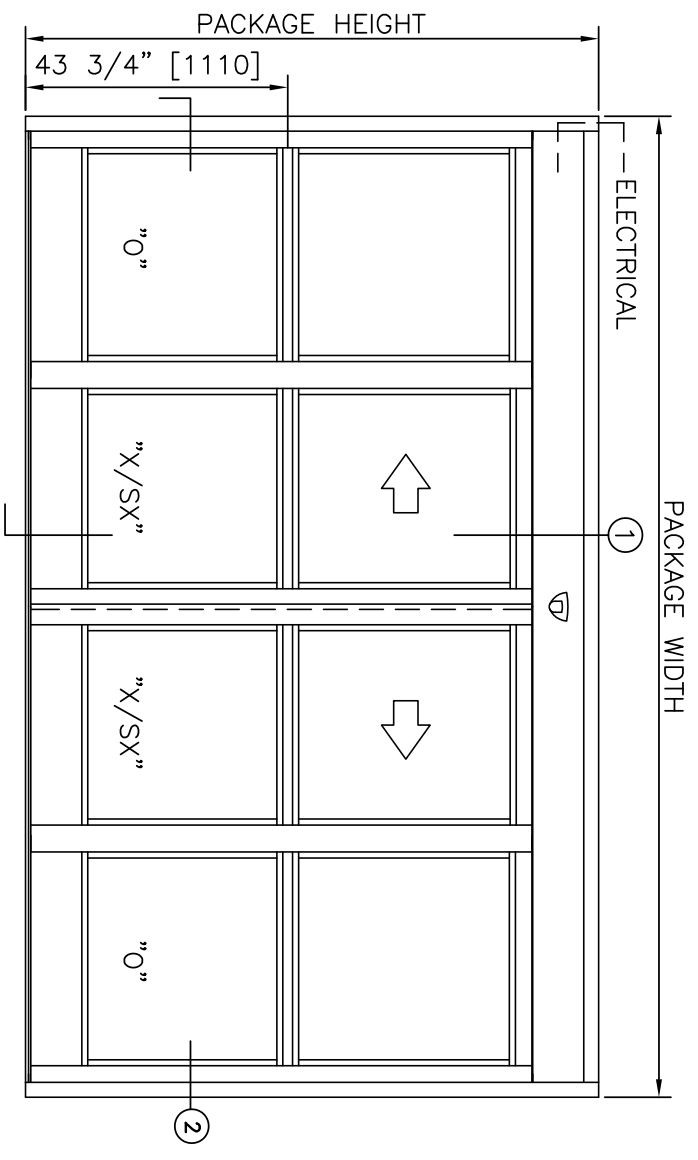
**STANLEY**  
Security  
ACCESS TECHNOLOGIES

**DURA-SHIELD**  
SECURITY  
SERIES

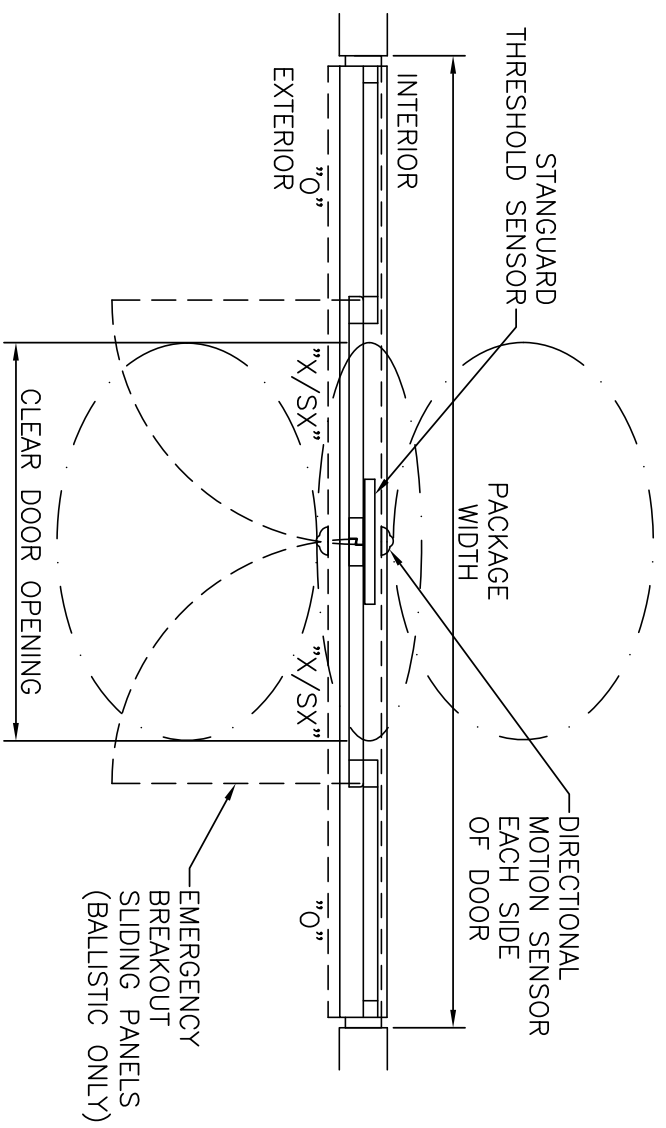
**BI-PARTING BALLISTIC/BLAST**  
PROJECT INFORMATION

PROJECT NAME: \_\_\_\_\_  
LOCATION: \_\_\_\_\_  
DOOR NUMBER(S): \_\_\_\_\_  
DATE: \_\_\_\_\_

SHEET: \_\_\_\_ OF \_\_\_\_

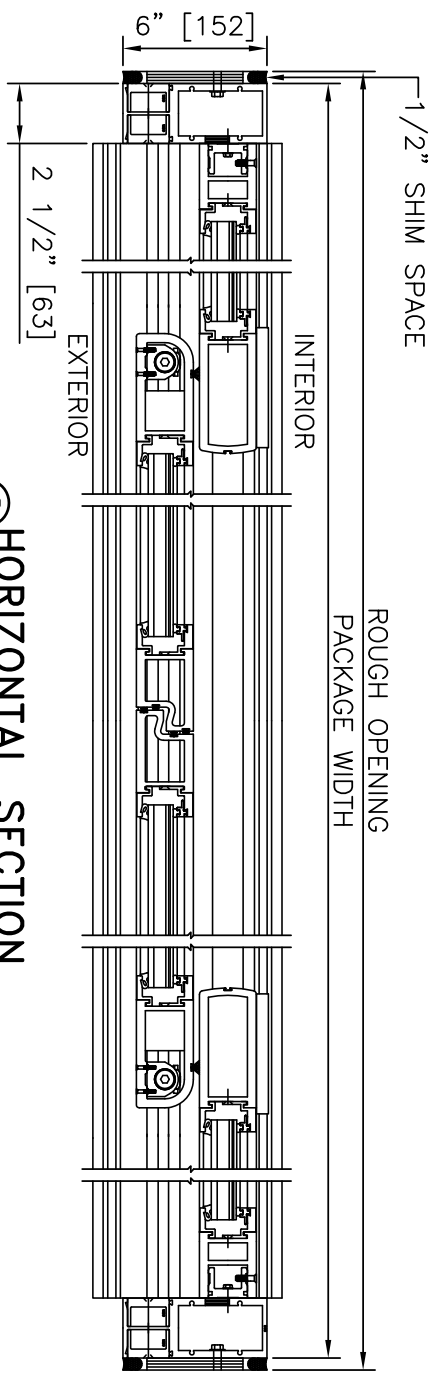


**ELEVATION VIEW**  
SCALE: 3/8" = 1'-0"

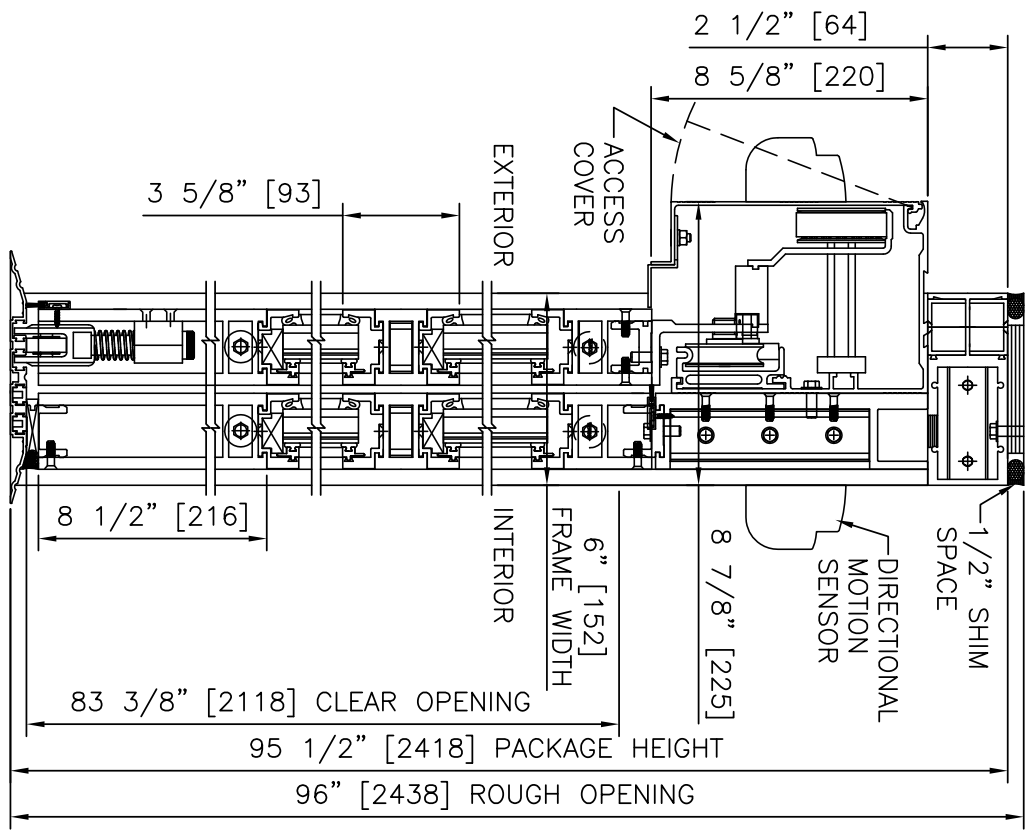


**PLAN VIEW**  
SCALE: 3/8" = 1'-0"

- NOTES**
1. ELECTRICAL REQUIREMENTS: 120 VAC, 10 AMP MIN TO POWER OPERATOR BY ELECTRICAL CONTRACTOR.
  2. ROUGH OPENING SHALL PROVIDE 1/2"[6] SHIM SPACE ON SIDES AND TOP OF PACKAGE.
  3. LIMITS OF ACTIVATION AND SAFETY ZONES ARE FOR REFERENCE ONLY; SEE ANSI/BHMA A156.10 FOR DETAILED REQUIREMENTS.
  4. BLAST ENTRANCES DESIGNED IN COMPLIANCE WITH UFC 4-010-01. BLAST ENTRANCES EXCLUDE BREAKOUT; X-PANEL DESIGN.
  5. BALLISTIC ENTRANCES ARE UL 752 LISTED, LEVEL III. BALLISTIC ENTRANCES INCLUDE BREAKOUT; SX-PANEL DESIGN.
  6. SEE SPECIFICATIONS FOR ADDITIONAL INFORMATION.



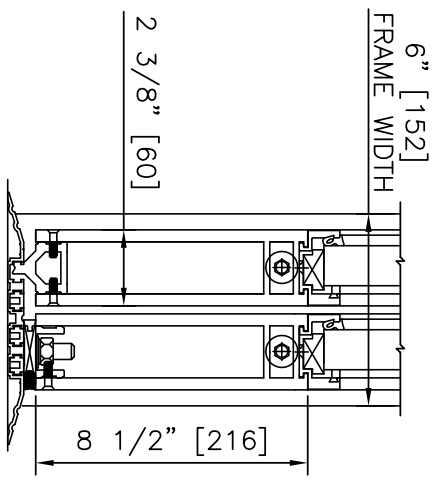
**HORIZONTAL SECTION**  
SCALE: 1 1/2" = 1'-0"



**BALLISTIC CONFIGURATION**  
**1 VERTICAL SECTION**  
SCALE: 2" = 1'-0"

**PRODUCT OPTIONS**

- FINISH**
- ANODIZED CLEAR CL2
  - ANODIZED DK BRONZE
  - CUSTOM
- BOTTOM RAILS**
- 8 1/2" (STD)
  - 2 3/4"
- LOCKING**
- SOLENOID LOCK
- THRESHOLDS**
- SQ/BVL (EXT)
  - DBL BVL
  - SQ/BVL (INT)
  - RECESSED
- ACTIVATION/SAFETY**
- 2 SU-100/STANGUARD
  - 2 COMBINED ACTIVATION/SAFETY SENSORS
- OTHER OPTIONS**
- UNINTERRUPTIBLE POWER SUPPLY
  - FLY OPEN BOX
  - JAMB CAMS



**BLAST CONFIGURATION**  
**1 VERTICAL SECTION**  
SCALE: 2" = 1'-0"

**MAXIMUM PACKAGE DIMENSIONS**

PACKAGE WIDTH	NOMINAL CLEAR DOOR OPENING	SLIDE PANEL NOMINAL WIDTH	FIXED PANEL NOMINAL WIDTH	EMERGENCY BREAKOUT NOM. WIDTH
168"	68 5/8"	42 7/16"	41 3/4"	79 1/4"

\*EMERGENCY BREAKOUT NOMINAL WIDTH\* FOR BALLISTIC CONFIGURATION ONLY\*

**DURA-SHIELD**  
SECURITY  
SERIES

**BI-PARTING BALLISTIC/BLAST**

**STANLEY**  
Security  
ACCESS TECHNOLOGIES