



SLIDING AUTOMATIC ENTRANCES: TRANSOM OPTIONS DURA-GLIDE™ 2000/3000/5000

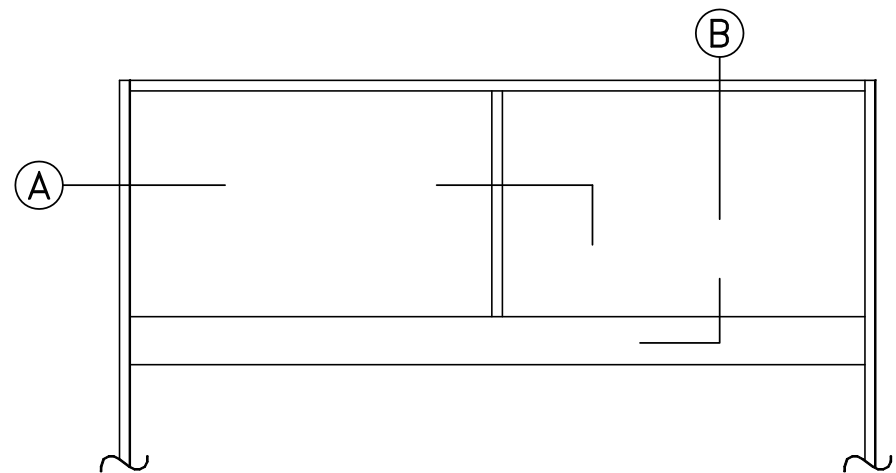
1.70 - TRANSOM OPTIONS

- 1.70.01 - 2000/3000 TRANSOM OPTIONS
- 1.70.02 - 5000 TRANSOM OPTIONS

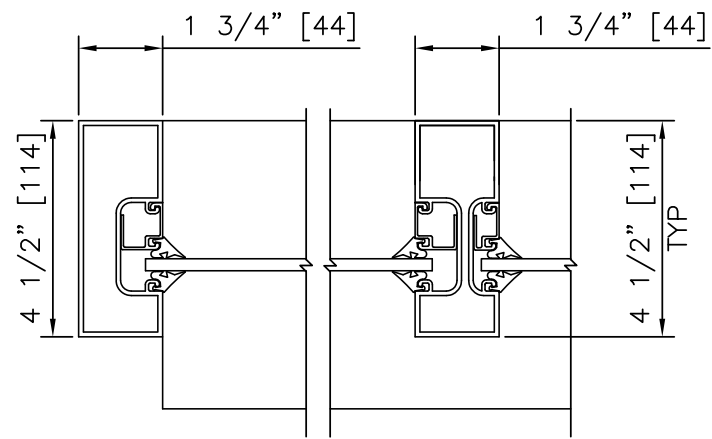


DURA-GLIDE 2000/3000/5000 SERIES

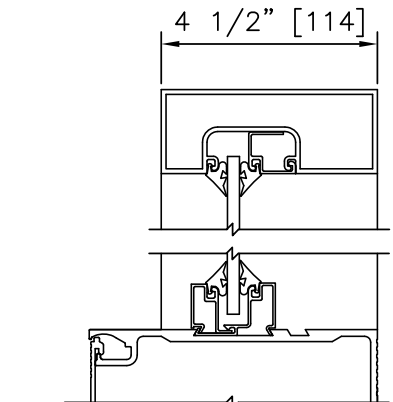
TRANSOM OPTIONS	
PROJECT INFORMATION	
PROJECT NAME:	
LOCATION:	
DOOR NUMBER(S):	
DATE:	SHEET: OF



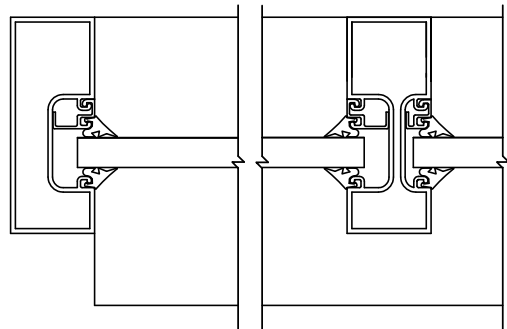
ELEVATION VIEW
SCALE: NOT TO SCALE



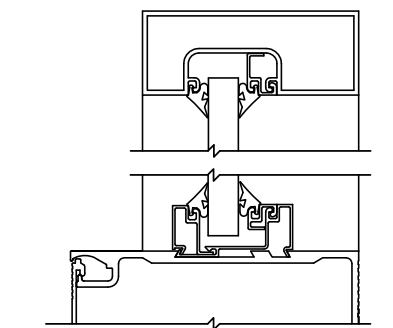
HORIZONTAL SECTION
A1 1/4" GLASS



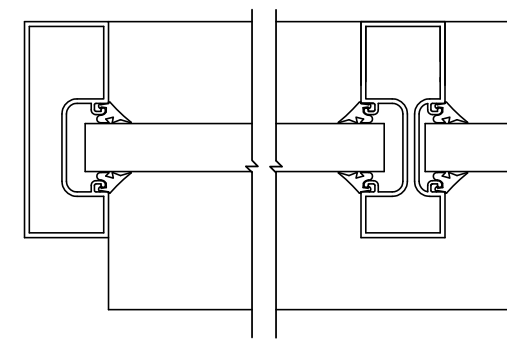
VERTICAL SECTION
B1 1/4" GLASS



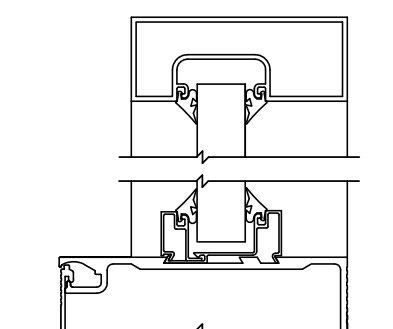
HORIZONTAL SECTION
A2 5/8" GLASS



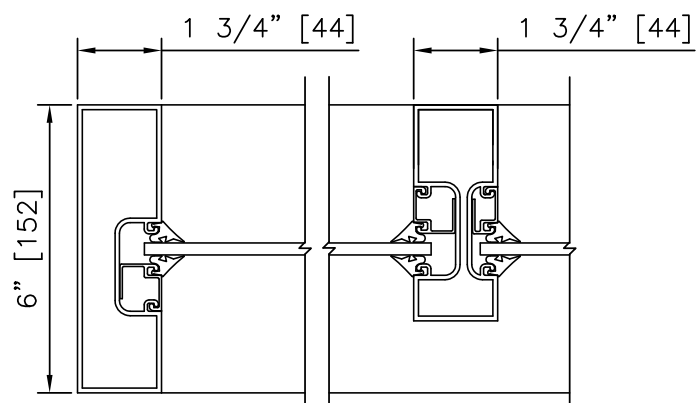
VERTICAL SECTION
B2 5/8" GLASS



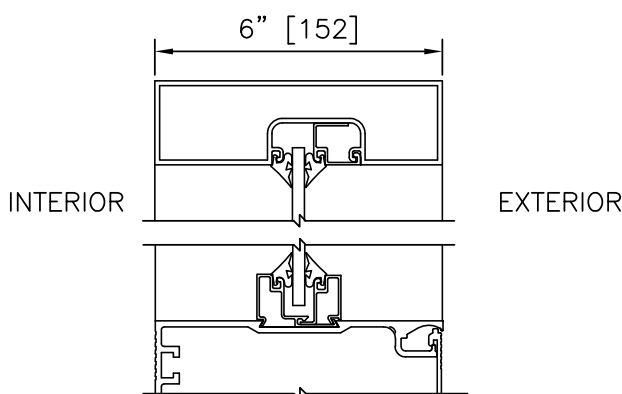
HORIZONTAL SECTION
A3 1" GLASS



VERTICAL SECTION
B3 1" GLASS



HORIZONTAL SECTION
A1 1/4" GLASS



VERTICAL SECTION
B3 1/4" GLASS

DURA-GLIDE 5000 SERIES

SCALE: 3" = 1'-0"

DURA-GLIDE 2000/3000 SERIES

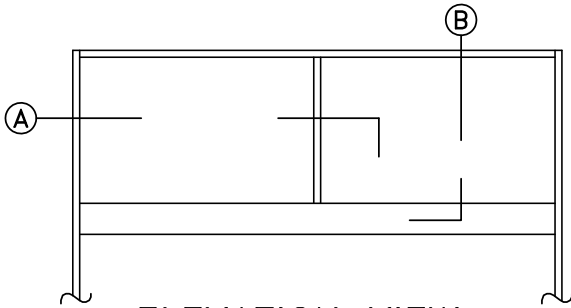
SCALE: 3" = 1'-0"

NOTES

- "INTERIOR" AND "EXTERIOR" ORIENTATION VARIES WITH PACKAGE TYPE. SEE SPECIFIC PACKAGE DRAWINGS FOR CORRECT ORIENTATION.
- ALL 2000/3000 SERIES PACKAGES SHOWN WITH STANDARD 4 1/2"[114] FRAME; 6"[152] FRAME AVAILABLE.
- SEE SPECIFICATIONS FOR ADDITIONAL INFORMATION.

TRANSOM OPTIONS	
DURA-GLIDE 2000/3000/5000 SERIES	STANLEY Security ACCESS TECHNOLOGIES

**DURA-GLIDE
2000/3000
SERIES**

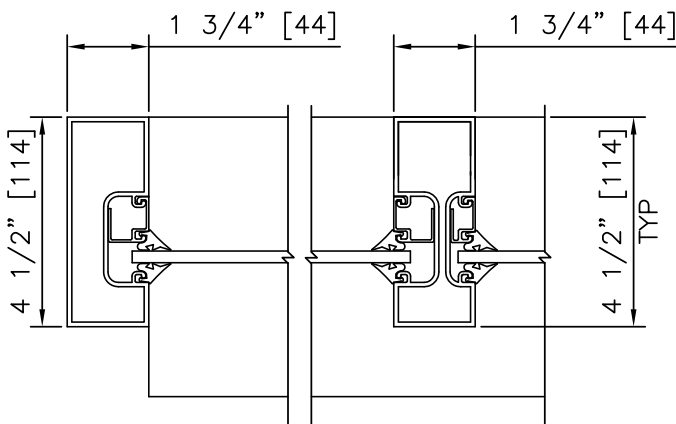


ELEVATION VIEW

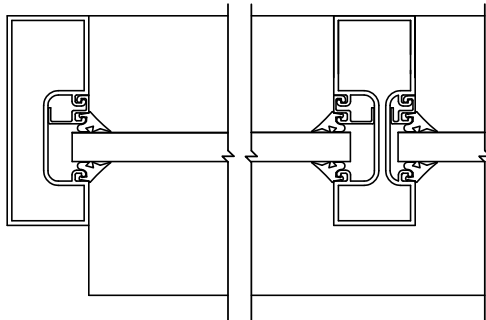
SCALE: NOT TO SCALE

NOTES

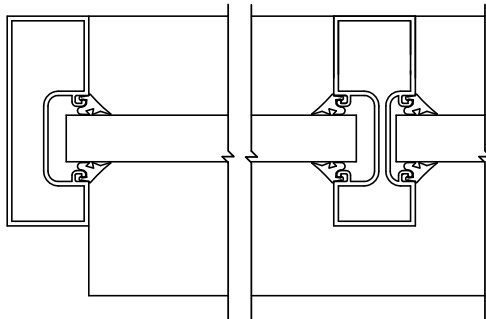
1. "INTERIOR" AND "EXTERIOR" ORIENTATION VARIES WITH PACKAGE TYPE. SEE SPECIFIC PACKAGE DRAWINGS FOR CORRECT ORIENTATION.
2. ALL 2000/3000 SERIES PACKAGES SHOWN WITH STANDARD 4 1/2" [114] FRAME; 6" [152] FRAME AVAILABLE.
3. SEE SPECIFICATIONS FOR ADDITIONAL INFORMATION.



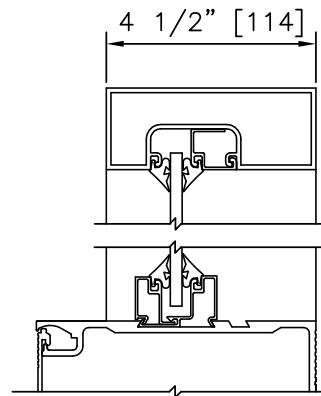
**A1 HORIZONTAL SECTION
1/4" GLASS**



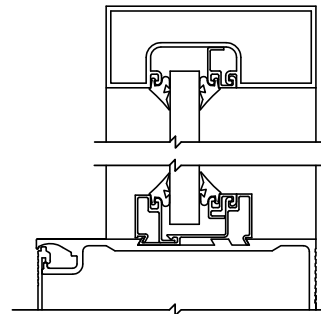
**A2 HORIZONTAL SECTION
5/8" GLASS**



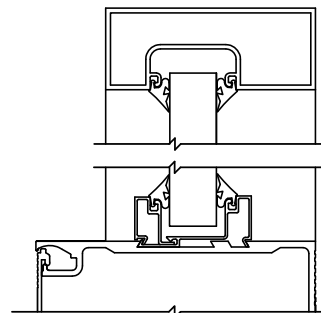
**A3 HORIZONTAL SECTION
1" GLASS**



**B1 VERTICAL SECTION
1/4" GLASS**



**B2 VERTICAL SECTION
5/8" GLASS**



**B3 VERTICAL SECTION
1" GLASS**

**DURA-GLIDE
5000
SERIES**

5000 TRANSOM OPTIONS

PROJECT INFORMATION

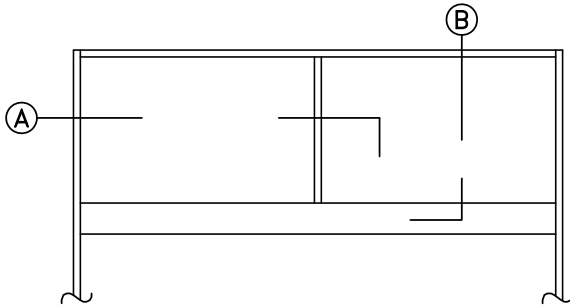
PROJECT NAME:

LOCATION:

DOOR NUMBER(S):

DATE:

SHEET: OF

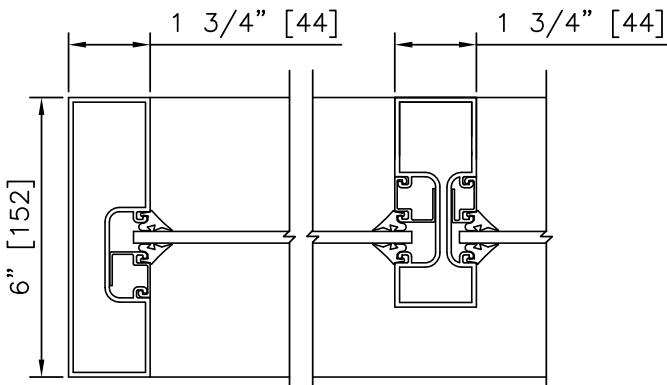


ELEVATION VIEW

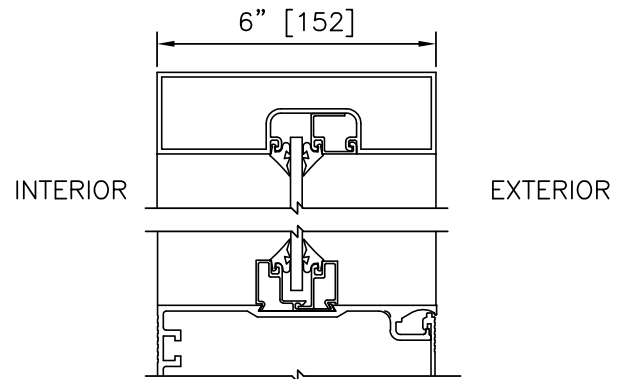
SCALE: NOT TO SCALE

NOTES

1. "INTERIOR" AND "EXTERIOR" ORIENTATION VARIES WITH PACKAGE TYPE. SEE SPECIFIC PACKAGE DRAWINGS FOR CORRECT ORIENTATION.
2. SEE SPECIFICATIONS FOR ADDITIONAL INFORMATION.



A1 HORIZONTAL SECTION
1/4" GLASS



B1 VERTICAL SECTION
1/4" GLASS